

SARIX[®] MODULAR CAMERA

3 MP

5 MP

5-YEAR WARRANTY

The Sarix[®] Modular camera is Pelco's smallest and most discreet video security solution with built-in analytic capabilities. Specifically designed for areas with limited space or that require an unobtrusive monitoring solution, such as ATMs, police interview rooms, retail checkout counters, building entrances or casino gaming tables. The camera's adjustable imager modules can be used together or separately, and can be flexibly positioned in different locations and orientations to help capture the most optimal view of people or scenes of interest. Equipped with Pelco Smart Analytics, powered by Motorola Solutions, this camera helps to detect critical events and increase your security teams' productivity by expediting real-time responses and forensic investigations.



FEATURES



SMART ANALYTICS, POWERED BY MOTOROLA SOLUTIONS

Detects and classifies more objects for greater accuracy and faster responses, even in crowded scenes.



H.264 & H.265 WITH SMART COMPRESSION TECHNOLOGY

Optimizes compression levels for regions in a scene to help maximize bandwidth savings and keep storage costs down.



WIDE DYNAMIC RANGE

Captures high-quality image details in scenes with dark and light backgrounds.



ONVIF[®] COMPLIANT

ONVIF Profile S, G and T compliance allows for easy integration with existing ONVIF infrastructures. Integrated with Pelco VideoXpert and other leading video management systems. ONVIF is a trademark of Onvif, Inc.



LOW-PROFILE & EASY-TO-INSTALL

Reduce installation times with lightweight, interchangeable form factors that can be mounted in practically any setting, including tight spaces and discreet applications such as behind false walls or ceilings.



DUST & WATER RESISTANCE¹

IP66 rating for resistance from dust and water.



CUSTOMIZABLE DESIGN

One or two imager modules can be connected to the main unit. Imager module options provide for flexibility to meet custom use case requirements. Imager modules connect to the main processor unit by detachable cables and establish an encrypted high speed connection. Imager modules can be mounted in a variety of orientations and discreet locations to help capture the most optimal coverage of people or scenes of interest.

¹Available on Micro Bullet imager module only

SPECIFICATIONS - MAIN UNIT

IMAGE CONTROL AND PERFORMANCE		
Image Compression Method		H.264 Pelco Smart Compression, H.265 Pelco Smart Compression, Motion JPEG
Bandwidth Management		Pelco Smart Compression technology; Idle scene mode
Streaming		Multi-stream H.264, Multi-stream H.265, Motion JPEG, Pelco Smart Compression
Max Image Rate (Based on combined resolution of one or two imagers)	High Frame Rate: (50 Hz/60 Hz)	(≤ 6 MP) 25 fps/30 fps (8 MP) 25 fps/24 fps (10 MP) 20 fps/24 fps
	Full Feature Mode: (50 Hz/60 Hz)	(≤ 5 MP) 25 fps/30 fps (6 MP) 25 fps/24 fps (8 MP) 20 fps/20 fps (10 MP) 12.5 fps/15 fps
Dynamic Range		Up to 120 dB
Motion Detection		Pixel motion; Selectable sensitivity and threshold. Classified object detection
Sabotage Detection		Yes
Electronic Shutter Control		Automatic, Manual (1/7.5 to 1/8000 sec)
Flicker Control		60 Hz, 50 Hz
White Balance		Automatic, Manual
Backlight Compensation		Adjustable
Privacy Zones		Up to 64 zones

AUXILIARY	
Audio Compression Method	G.711 PCM 8 kHz, Opus
Audio Input/Output	Line level input and output
External I/O Terminals	Alarm In: Digital input for connecting an external input sensor (for example, a motion detector); Alarm Out: Digital output for controlling an external output device (for example, a siren)

NETWORK	
Network	100BASE-TX
Cabling Type	CAT5E cabling for PoE Coaxial cabling for imager modules
Connector	RJ-45 for PoE HD BNC for imager modules
ONVIF	ONVIF compliance Profile S, Profile T, and Profile G (www.onvif.org)
Security	Password protection, HTTPS encryption, digest authentication, WS authentication, user access log, 802.1x port based authentication
Protocols	IPv4, IPv6, HTTP, HTTPS, SOAP, DNS, NTP, RTSP, RTCP, RTP, TCP, UDP, IGMPv2, ICMP, DHCP, Zeroconf, ARP
Streaming Protocols	RTP/UDP, RTP/UDP multicast, RTP/RTSP/TCP, RTP/RTSP/HTTP/TCP, RTP/RTSP/HTTPS/TCP, HTTP
Device Management Protocols	SNMP v2c, SNMP v3

PERIPHERALS	
Onboard Storage	2 x microSD/microSDHC/microSDXC slots - video speed class card required. Class V10 or better recommended. One of the two SD card slots is available for onboard storage.

MECHANICAL		
Dimensions (LxWxH)	Body Only	105 mm x 123 mm x 34 mm; 4.13 " x 4.84 " x 1.34 "
	Including HD BNC Connector	114 mm x 123 mm x 34 mm; 4.50 " x 4.84 " x 1.34 "
Weight	0.517 kg (1.14 lbs)	

MECHANICAL

Body	Aluminum
Housing	Stainless steel (bracket)
Finish	Black

ELECTRICAL

Power Consumption	13 W Max
Power Source	VDC: 12 V +/-10%, 11.5 W min PoE: IEEE 802.3af Class 3 compliant
Power Connector	2-pin terminal block
RTC Battery Backup	3V manganese lithium

ENVIRONMENTAL

Operating Temperature	-10 °C to +60 °C (14 °F to 140 °F)
Storage Temperature	-10 °C to +70 °C (14 °F to 158 °F)
Humidity	0 - 100% RH

CERTIFICATIONS

Certifications/Approvals	UL, cUL, CE, UKCA, ROHS, RCM, BIS
Safety	UL 62368-1, CSA 62368-1, IEC/EN 62368-1
Electromagnetic Emissions	FCC Part 15 Subpart B Class A, ICES-003 Class A, EN 55032 Class A, EN 61000-3-2, EN 61000-3-3
Electromagnetic Immunity	EN 55035, EN 61000-6-1
Environmental	IEC 60068-2-27, IEC 60068-2-6, IEC 60068-2-14, IEC 60068-2-1, IEC 60068-2-2

SPECIFICATIONS - IMAGER

IMAGE PERFORMANCE		3.0 MP	5.0 MP
Image Sensor		1/2.7 " Progressive Scan	1/2.7 " Progressive Scan
Imaging Area (H x V)		5.4 mm x 3.9 mm; 0.213 " x 0.154 "	
Max Image Rate		(50 Hz/60 Hz): 25 fps/30 fps	
Streaming Resolutions	Primary Stream:	Right Angle: 2128 x 1368, 1920 x 1080, 1360 x 2128, 1088 x 1920 Micro Bullet: 2128 x 1536, 1920 x 1080, 1536 x 2128, 1088 x 1920	Micro Bullet: 2688 x 1944, 2128 x 1536, 2560 x 1440, 1920 x 1080, 1952 x 2688, 1536 x 2128, 1440 x 2560, 1088 x 1920
	Secondary Stream:	Right Angle: 1248 x 800, 832 x 536, 672 x 432, 528 x 336, 400 x 256 1280 x 720, 720 x 480, 640 x 360, 512 x 288, 384 x 216 800 x 1248, 528 x 832, 432 x 672, 336 x 528, 256 x 400 720 x 1280, 480 x 720, 368 x 640, 288 x 512, 240 x 424 Micro Bullet: 1248 x 904, 832 x 600, 672 x 480, 528 x 384, 400 x 288 1280 x 720, 720 x 480, 640 x 360, 512 x 288, 384 x 216 912 x 1248, 608 x 832, 480 x 672, 384 x 528, 288 x 400 720 x 1280, 480 x 720, 368 x 640, 288 x 512, 240 x 424	Micro Bullet: 1248 x 904, 832 x 600, 672 x 480, 528 x 384, 400 x 288 1280 x 720, 720 x 480, 640 x 360, 512 x 288, 384 x 216 912 x 1248, 608 x 832, 480 x 672, 384 x 528, 288 x 400 720 x 1280, 480 x 720, 368 x 640, 288 x 512, 240 x 424
Dynamic Range	WDR Off:	Up to 82 dB	
	WDR On:	Up to 120 dB	
3D Noise Reduction Filter		Yes	

LENS	RIGHT ANGLE	MICRO BULLET
Lens	3.7 mm fixed pinhole aperture	2.8 mm fixed
Minimum Illumination	0.1 lux	
Horizontal Angle of View (HFOV)	92 °	110 °
Vertical Angle of View (VFOV)	53 °	80 °
Max Aperture	F2.5	F2.0
Control	Fixed	

IMAGE CONTROL	
Electronic Shutter Control	Automatic, Manual (1/7.5 to 1/8000 sec)
Iris Control	Fixed
Day/Night Control	Automatic, Manual
Flicker Control	60 Hz, 50 Hz
White Balance	Automatic, Manual
Backlight Compensation	Adjustable
Privacy Zones	Up to 64 zones

CONNECTOR	
Cabling Type	Coaxial cable
Connector	HD BNC

MECHANICAL		RIGHT ANGLE	MICRO BULLET
Dimensions (LxWxH)	Imager Module Body Only	45 mm x 25 mm x 20 mm; 1.77 " x 0.98 " x 0.79 "	42 mm x 30 mm diameter; 1.65 " x 1.18 " diameter
	Including HD BNC Connector	54 mm x 25 mm x 20 mm; 2.13 " x 0.98 " x 0.79 "	50 mm x 30 mm diameter; 1.97 " x 1.18 " diameter

MECHANICAL	RIGHT ANGLE	MICRO BULLET
Weight	0.028 kg (0.06 lbs)	0.043 kg (0.09 lbs)
Body	Aluminum	
Housing	Plastic	
Finish	Black	

ENVIRONMENTAL	RIGHT ANGLE	MICRO BULLET
Operating Temperature	-30 °C to +60 °C (-22 °F to 140 °F)	
Storage Temperature	-10 °C to +70 °C (14 °F to 158 °F)	
Humidity	0 - 100% RH	
Environmental	N/A	IP66 Rating

ANALYTICS SPECIFICATIONS

SUPPORTED ANALYTICS EVENTS*

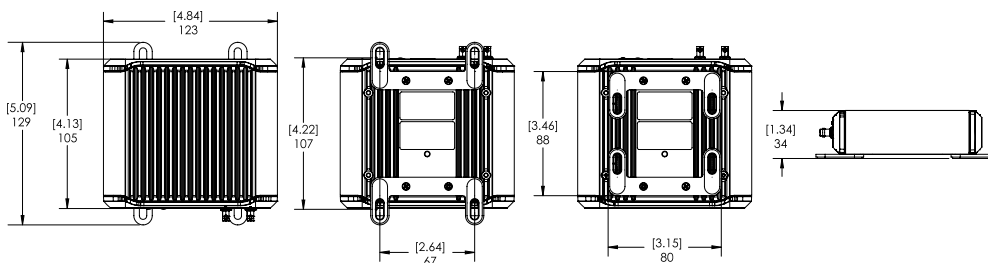
Objects in Area	The event is triggered when the selected object type moves into the region of interest.
Object Loitering	The event is triggered when the selected object type moves into the region of interest, then stays for an extended amount of time.
Objects Crossing Beam	The event is triggered when the specified number of objects have crossed the directional beam that is configured over the camera's field of view. The beam can be unidirectional or bidirectional.
Object Appears or Enters Area	The event is triggered by each object that enters the region of interest and can also be used to count objects.
Object Not Present in Area	The event is triggered when no objects are present in the region of interest.
Objects Enter Area	The event is triggered when the specified number of objects have entered the region of interest.
Objects Leave Area	The event is triggered when the specified number of objects have left the region of interest.
Object Stops in Area	The event is triggered when an object moves into a region of interest and then stops moving for the specified threshold time.
Direction Violated	The event is triggered when an object moves in the prohibited direction of travel.
Sabotage Detection	The event is triggered when the scene unexpectedly changes.

*Pelco Smart Analytics powered by Motorola Solutions.

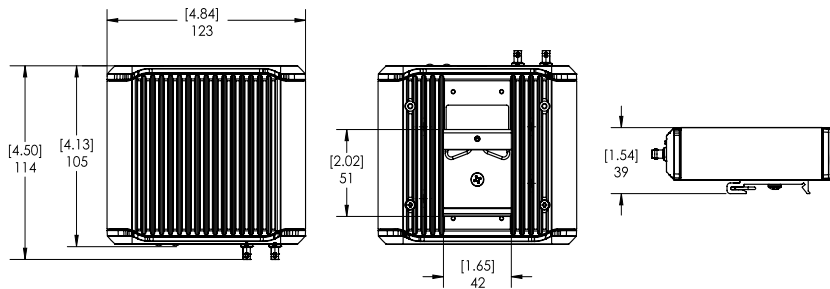
OUTLINE DIMENSIONS

[X.X]	INCHES
X	MM

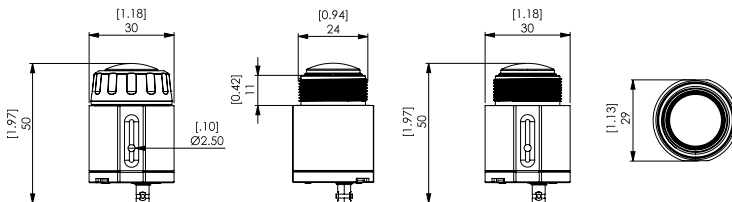
MAIN UNIT WITH BRACKET

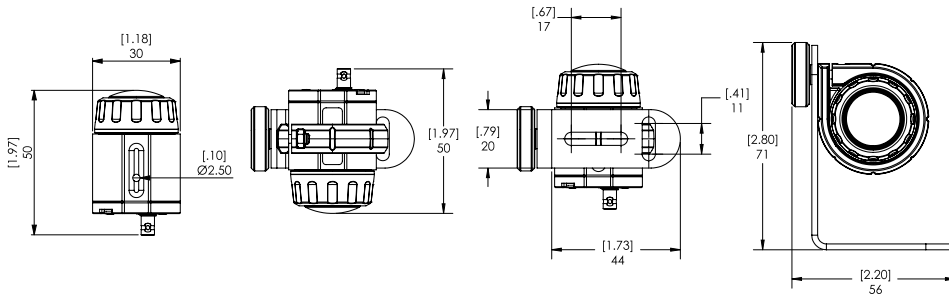


MAIN UNIT WITH DIN RAIL MOUNT (OPTIONAL)

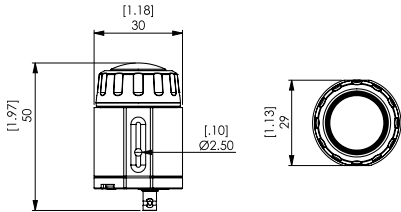


MICRO BULLET IMAGER WITH BRACKET

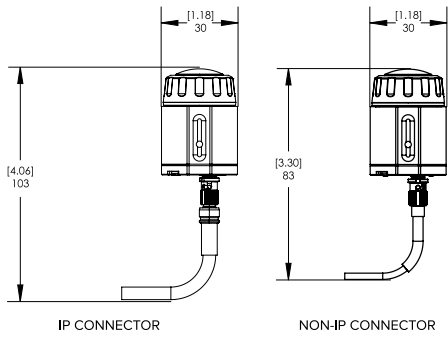




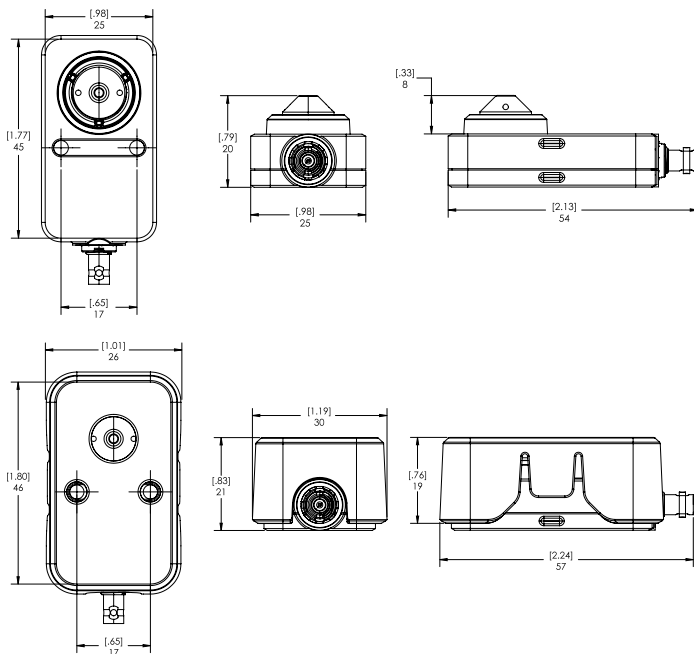
MICRO BULLET IMAGER WITH SIDE RAIL MOUNT

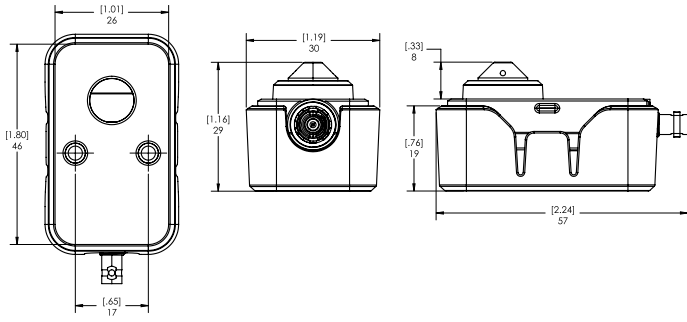


MICRO BULLET IMAGER WITH MIN. CABLE LENGTH

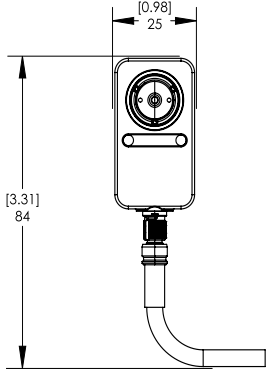


RIGHT ANGLE IMAGER WITH BRACKET








RIGHT ANGLE IMAGER WITH MIN. CABLE LENGTH



ORDERING INFORMATION

The variety of mounting options for the Sarix Modular provides maximum flexibility to combine different imager modules and cable configurations.

MAIN UNIT	IMAGER MODULES	REQUIRED ACCESSORIES
 <p>Sarix Modular Camera Main Processor Unit (IDL0-PU2)</p>	<p>Order up to two imager modules per Main Unit, any combination of the following:</p> <div style="display: flex; justify-content: space-around;"> <div style="text-align: center;">  <p>Sarix Right Angle Imager (IDL303-PHI)</p> </div> <div style="text-align: center;">  <p>Sarix Micro Bullet Imager (IDLx02-FXI)</p> </div> </div>	<p>Order one cable for each imager module:</p> <ul style="list-style-type: none"> • CBL2M-1001 (2 m) • CBL5M-1001 (5 m)

IMAGER MODULES

With the modular design of the Sarix Modular, either camera module can be connected to the Sarix Modular Camera Main Unit for maximum versatility and optimal installation.

	FORM FACTOR	MP	WDR	ANALYTICS	LENS	IP66
IDL303-PHI	Right Angle	3.0	✓	✓	3.7 mm, Fixed Pinhole	
IDL302-FXI	Micro Bullet	3.0	✓	✓	2.8 mm, Fixed	✓
IDL502-FXI	Micro Bullet	5.0	✓	✓	2.8 mm, Fixed	✓

CAMERA MAIN UNIT

DISPLAY PART NUMBER	DESCRIPTION
IDL0-PU2	Sarix Modular 2 Port Main Processor Unit

CAMERA IMAGER

DISPLAY PART NUMBER	DESCRIPTION
IDL303-PHI	3 MP Sarix Modular Pinhole Right Angle Imager
IDL302-FXI	3 MP Sarix Modular Fixed Lens Micro Bullet Imager
IDL502-FXI	5 MP Sarix Modular Fixed Lens Micro Bullet Imager

CAMERA CABLES

DISPLAY PART NUMBER	DESCRIPTION
CBL2M-1001	2 m (6 ft) HD BNC Cable for Sarix Modular Imager
CBL5M-1001	5 m (16 ft) HD BNC Cable for Sarix Modular Imager

OPTIONAL MOUNTING ADAPTERS

DISPLAY PART NUMBER	DESCRIPTION
BRKTMD-1001	Din rail mount for Sarix Modular Main Processor Unit
BRKTMD-1011	Replacement L Bracket for Micro Bullet Imager Sarix Modular
BRKTMD-1021	Replacement Flat Bracket for Right Angle Imager Sarix Modular
BRKTMD-1031	Replacement Trimming Bracket for Micro Bullet Imager Sarix Modular

SUPPORT

Learn more and find additional documentation at pelco.com or email support@pelco.com for specific product support.



Apr 2023 | C5060-S | Rev 6

© 2022 - 2023, Motorola Solutions, Inc. All rights reserved. MOTOROLA, MOTO, MOTOROLA SOLUTIONS, and the Stylized M Logo are trademarks or registered trademarks of Motorola Trademark Holdings, LLC and are used under license. Pelco, the Pelco logo, and other trademarks associated with Pelco products referred to in this publication are trademarks of Pelco, Inc. or its affiliates. All other product names and services are the property of their respective companies. Product specifications and availability are subject to change without notice.