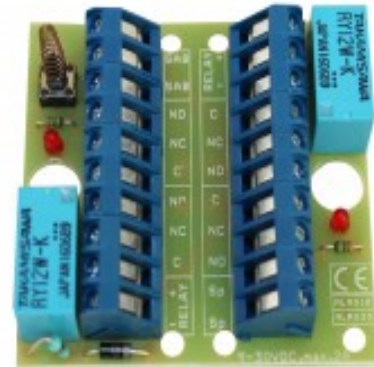


## RC 020

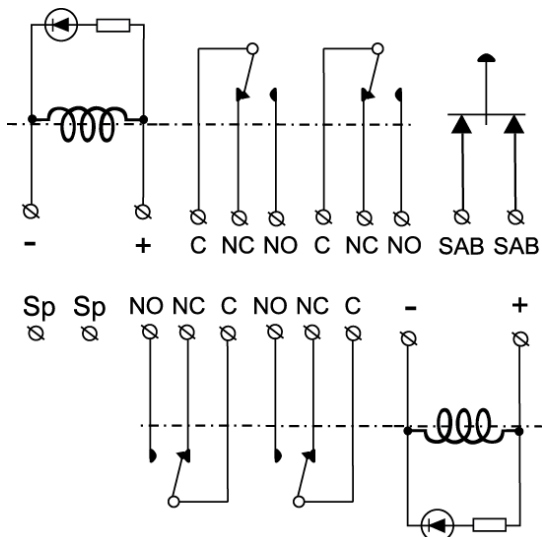
## Relaisplatine

## Technical data

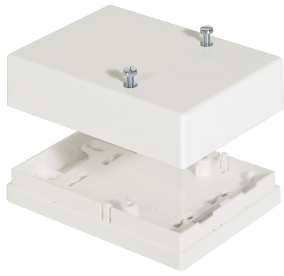
Relay output	2 x NC/NO
Supply voltage	9-30 VDC
Current consumption	2 x 16 mA at 12 VDC / 38mA at 28 VDC
Contact rating	48 VDC / 1 A / 48 VA
Tamper protection / Rating	Yes, 48 VDC / 50mA
Connection	Screw terminals
Operating temperature range	-40 to +70°C
Dimensions (L x W x H) mm	58 x 58 x 14



The RC 020 is a relay card with two relays and dual (2x) alternating (NC/NO) functions. Connection is provided via screw terminal with wire protection. Active relays are indicated by LED. The card also has an antitamper switch to protect against unauthorised opening if the card is installed, for example, in a JB 200 box.



**Related products and accessories**



**JB 200**

Installation box