

H5A CORNER CAMERA 2.3 MM FIXED LENS

3 MP

5 MP

The Avigilon H5A Corner camera is an anti-ligature, no-grip and IK10+ impact-rated solution that is purpose-built to withstand the harshest attempts to destroy, detach, attach to or disable it. As an Avigilon H5 platform camera, the H5A Corner camera is embedded with Next-Generation Video Analytics for enhanced object detection and classification, Unusual Activity Detection (UAD), along with support for Facial Recognition technology and Avigilon Appearance Search™ technology to help ensure critical events do not go unnoticed.



FEATURES



NEXT-GENERATION VIDEO ANALYTICS

Detects more objects with expanded object classification and greater accuracy for faster responses, even in crowded scenes.



H.264 AND H.265 WITH HDSM SMARTCODEC™ TECHNOLOGY

Optimizes compression levels for regions in a scene to help maximize bandwidth savings and keep internet connectivity costs down.



FIPS 140-2 COMPLIANT

Brings increased data security with FIPS-compliant cryptography enabled on cameras¹.



ONVIF® COMPLIANT

ONVIF Profile S, T and G compliance allows easy integration with existing ONVIF infrastructures.



AUDIO RECORDING CAPABILITIES

Records audio evidence via a built-in microphone that can be disabled if desired.



EASY TO CLEAN & REPAIR

Stainless steel variant and water-resistant design makes it easy to clean. Part replacements are simple using conventional tools without having to remove the entire camera, minimizing downtime.



WATER, IMPACT & ENCLOSURE RATED

IP67 rating for water resistance, IK10+ impact rating for vandal resistance and NEMA 4X enclosure rating² for windblown dust, water (e.g. rain, hose-directed water) and corrosion resistance.



EXTENDED TEMPERATURE RANGE

Continuously records between -40 °C to 55 °C (-40 °F to 131 °F).



INVISIBLE IR LED LIGHT

Ensures there is no visible glow to disturb the subject being monitored or notify them that the camera is on.



LIGHTCATCHER™ TECHNOLOGY

Offers excellent image detail in low-light settings.

ONVIF is a trademark of Onvif, Inc.

¹ Optional purchase of FIPS Level 1 camera license or CRYPTR microSD hardware-based encryption and key management for FIPS Level 3 support and certification.

² NEMA 4X rating only applies to the stainless steel variant.

SPECIFICATIONS

IMAGE PERFORMANCE		3.0 MP	5.0 MP
Image Sensor		1/2.8" progressive scan CMOS	
Max Resolution (H x V) and Aspect Ratio		(4:3) 2048 x 1536 (16:9) 1920 x 1080	(4:3) 2592 x 1944 (16:9) 2560 x 1440
Dynamic Range	WDR Off:	83 dB	
	WDR On:	126 dB	
Max Frame Rate	WDR Off:	(50 Hz/60 Hz) 25 fps/30 fps	
	WDR On:	(50 Hz/60 Hz) 20 fps/20 fps	
Max Image Rate		WDR off (50 Hz/60 Hz): 25 fps/30 fps WDR on (50 Hz/60 Hz): 20 fps/20 fps	
Bandwidth Management		HDSM SmartCodec technology; Idle scene mode	
3D Noise Reduction Filter		Yes	

LENS AND IR ILLUMINATION	
Lens	2.3 mm
IR Illumination Max Distance ¹ (high power 940 nm LED)	15 m (49 ft)
Minimum Illumination	0.027 lux in color mode, 0.014 lux in monochrome mode, 0 lux with IR
Horizontal Angle of View Based on Aspect Ratio	(4:3) 135° (16:9) 133°
Vertical Angle of View Based on Aspect Ratio	(4:3) 95° (16:9) 74°
Max Aperture	Fixed F2.2

¹ IR illumination power may be reduced at higher operating temperatures.

IMAGE CONTROL	
Image Compression Method	H.264 HDSM SmartCodec, H.265 HDSM SmartCodec, Motion JPEG
Streaming	Multi-stream H.264, Multi-stream H.265, Motion JPEG, HDSM™ 2.0
Motion Detection	Pixel motion: Selectable sensitivity and threshold. Classified object detection
Camera Tamper Detection	Yes
Electronic Shutter Control	Automatic, Manual (1/7 to 1/8196 sec)
Day/Night Control	Automatic, Manual
Flicker Control	60 Hz, 50 Hz
White Balance	Automatic, Manual
Backlight Compensation	Adjustable
Privacy Zones	Up to 64 zones

NETWORK	
Network	100BASE-TX, RJ45 Connector, CAT5e Cabling
ONVIF	ONVIF compliance version 1.02, 2.00, Profile S, Profile T, Profile G (www.onvif.org)
Security	Password protection, HTTPS encryption, digest authentication, WS authentication, user access log, 802.1x port based authentication, FIPS 140-2 L1 (with optional camera license), FIPS 140-2 L3 (with optional accessory)
Protocols	IPv6, IPv4, HTTP, HTTPS, SOAP, DNS, NTP, RTSP, RTCP, RTP, TCP, UDP, IGMPv2, ICMP, DHCP, Zeroconf, ARP, HSTS
Streaming Protocols	RTP/UDP, RTP/UDP multicast, RTP/RTSP/TCP, RTP/RTSP/HTTP/TCP, RTP/RTSP/HTTPS/TCP, HTTP
Device Management Protocols	SNMP v2c, SNMP v3

PERIPHERALS

USB Port	USB 2.0
Onboard Storage	microSD/microSDHC/microSDXC slot – video speed class card required. Class V10 or better recommended.

AUXILIARY I/O

Audio Compression Method	G.711 PCM 8 kHz, Opus
Audio Input/Output	Line level I/O or built-in microphone
External I/O Terminals	Alarm In, Alarm Out

MECHANICAL

Dimensions (LxWxH)	163 mm x 163 mm x 121 mm; 6.4" x 6.4" x 4.8"
Weight	3.21 kg (7.2 lbs)
Minimum Mounting Height	2.75 m (9')
Dome Bubble	Polycarbonate
Body	Stainless steel / Cold rolled steel
Housing	Corner mount, vandal resistant
Finish	Bead blasted and electro-polished / Cast, powder coated, Pantone 427C
Recording LED	Yes
Built-in Microphone	Yes
Adjustment Range	±5° tilt

ELECTRICAL

Power Consumption	13 W max (11 W with no IR or IR disabled)		
Power Source	VDC: 12 V ± 10%, 12 W min	VAC: 24 V ± 10%, 13 VA min	PoE: IEEE802.3af Class 3 compliant
RTC Backup Battery	3V manganese lithium		

ENVIRONMENTAL

Operating Temperature	-40 °C to +55 °C (-40 °F to 131 °F)
IR Illuminator Behavior	IR illuminator will turn off if the temperature is 50 °C (122 °F) or higher. The illuminator will operate at 50% power if the temperature is between 40 °C (104 °F) and 49 °C (120 °F). Hysteresis: 2 °C (3.6 °F).
Storage Temperature	-10 °C to +70 °C (14 °F to 158 °F)
Humidity	0 - 95% non-condensing

CERTIFICATIONS

Certifications/Directives	UL, cUL, CE, ROHS, Reach (SVHC), RCM, EAC, KC, BIS, UKCA
Safety	UL 62368-1, CSA 62368-1, IEC/EN 62368-1, IEC 62471 (with -IR option)
Environmental	UL/CSA/IEC 60950-22, IEC 60529 IP66 and IP67 Weather Rating, NEMA 4X for stainless steel enclosure only, IK10+ Impact Rating
Electromagnetic Emissions	FCC Part 15 Subpart B Class B, IC ICES-003 Class B, EN 55032 Class B, EN 61000-6-3, EN 61000-3-2, EN 61000-3-3
Electromagnetic Immunity	EN 55035, EN 61000-6-1

ANALYTICS SPECIFICATIONS

SUPPORTED ANALYTICS EVENTS

Objects in Area	The event is triggered when the selected object type moves into the region of interest.
Object Loitering	The event is triggered when the selected object type moves into the region of interest and then stays for an extended amount of time.
Objects Crossing Beam	The event is triggered when the specified number of objects have crossed the directional beam that is configured over the camera's field of view. The beam can be unidirectional or bidirectional.
Object Appears or Enters Area	The event is triggered by each object that enters the region of interest. This event can be used to count objects.

SUPPORTED ANALYTICS EVENTS

Object Not Present in Area	The event is triggered when no objects are present in the region of interest.
Objects Enter Area	The event is triggered when the specified number of objects have entered the region of interest.
Objects Leave Area	The event is triggered when the specified number of objects have left the region of interest.
Object Stops in Area	The event is triggered when an object moves into a region of interest and then stops moving for the specified threshold time.
Direction Violated	The event is triggered when an object moves in the prohibited direction of travel.
Tamper Detection	The event is triggered when the scene unexpectedly changes.

SUPPORTED CLASSIFIED OBJECT TYPES

Object Types in Outdoor Mode	Vehicle, sub-types: Car, Truck, Bicycle, Motorcycle, Bus Person
Object Types in Indoor Mode	Person

TEACH BY EXAMPLE

Teach By Example	Yes, when used with Avigilon Control Center™
------------------	--

AVIGILON CONTROL CENTER (ACC) VERSIONS SUPPORTED FEATURES

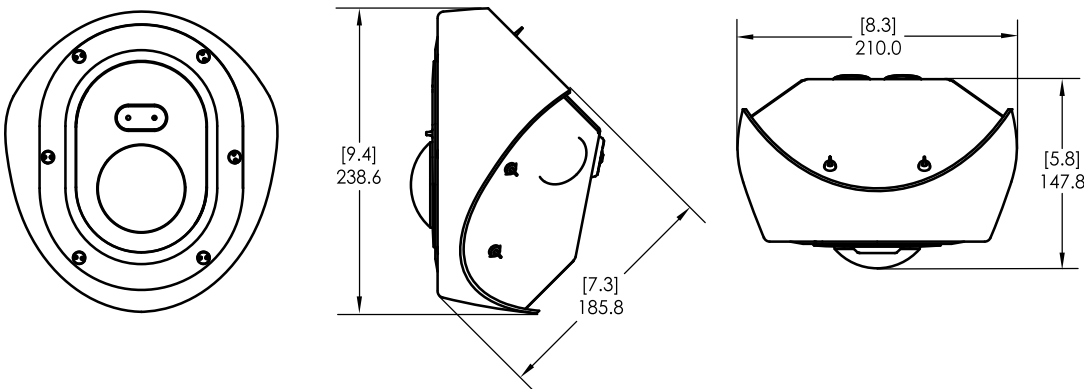
ACC Version 6.14.12 or higher	All supported analytic events with two types of classified objects: person or vehicle. Appearance search when paired with appropriate server hardware. H.265 supported.
ACC Version 7.2 or higher	All supported analytic events with people and vehicles and all vehicle sub-types as classified objects. Appearance search when paired with appropriate server hardware. H.265 supported.

OUTLINE DIMENSIONS

H5A CORNER CAMERA

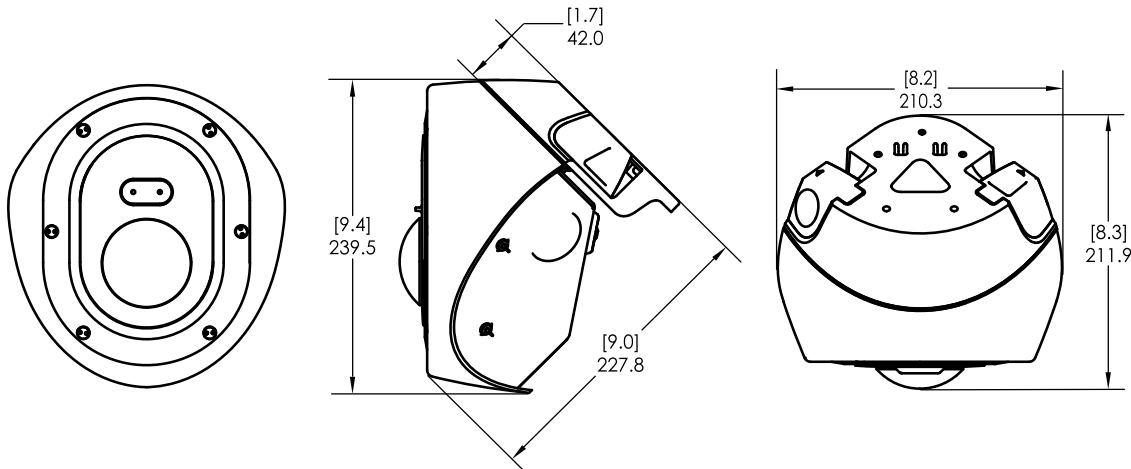
(3.0C-H5A-CR2-IR/3.0C-H5A-CR2-IR-SS/5.0C-H5A-CR2-IR/5.0C-H5A-CR2-IR-SS)

[X.X]	INCHES
X	MM



H5A CORNER CAMERA WITH CONDUIT BOX

(3.0C-H5A-CR2-IR/3.0C-H5A-CR2-IR-SS/5.0C-H5A-CR2-IR/5.0C-H5A-CR2-IR-SS WITH CNBX-1001)



ORDERING INFORMATION

	MP	WDR	ANALYTICS	LENS	IR	BODY	FINISH
3.0C-H5A-CR2-IR	3.0	✓	✓	2.3 mm	✓	Cold Rolled Steel	Powder Coat
3.0C-H5A-CR2-IR-SS	3.0	✓	✓	2.3 mm	✓	Stainless Steel	Bead Blasted & Polished
5.0C-H5A-CR2-IR	5.0	✓	✓	2.3 mm	✓	Cold Rolled Steel	Powder Coat
5.0C-H5A-CR2-IR-SS	5.0	✓	✓	2.3 mm	✓	Stainless Steel	Bead Blasted & Polished

OPTIONAL CAMERA LICENSES AND ACCESSORIES

CNBX-1001	Conduit gang box, powder coated aluminum die-cast, white (accepts 12.7 mm/0.5" or 19.05 mm/0.75" conduit pipe)
H4-AC-WIFI2-NA / H4-AC-WIFI2-EU	USB Wi-Fi Adapter
CM-AC-AVIO1	3.5 mm jack with 1.8 m fly wire
CAM-FIPS	Camera license to enable FIPS Level 1 cryptographic mode on any H5A camera
CAM-FIPS-CRYPTR-L3	MSI CRYPTR SD with camera license to enable FIPS Level 3 cryptographic mode on H5A cameras ¹

¹ Excludes H5A Explosion-Protected camera line.

SUPPORT

Learn more and find additional documentation at [avigilon.com](https://www.avigilon.com) or email sales@avigilon.com for specific product support.



Sep 2022 | Rev 3

© 2021 - 2022, Motorola Solutions, Inc. All rights reserved. MOTOROLA, MOTO, MOTOROLA SOLUTIONS, and the Stylized M Logo are trademarks or registered trademarks of Motorola Trademark Holdings, LLC and are used under license. AVIGILON, the AVIGILON logo, AVIGILON CONTROL CENTER, ACC, HDSM SmartCodec and LIGHTCATCHER are trademarks of Avigilon Corporation. The absence of the symbols ™ and ® in proximity to each trademark in this document or at all is not a disclaimer of ownership of the related trademark. All other trademarks are the property of their respective owners.

sales@avigilon.com | [avigilon.com](https://www.avigilon.com)