

Compliance Made Easy

Dorgard Pro

Dorgard Pro is a fire door retainer which holds open fire doors legally, allowing them to automatically close when an alarm is activated.



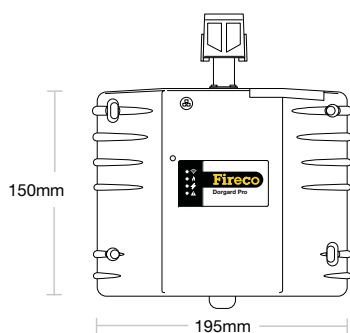
Overview

Dorgard Pro is radio-activated by ProHub, which is directly connected to your fire alarm panel. Dorgard Pro meets all the requirements for it to be used in high-risk zones (such as kitchens and stairwells) and is classified for critical (Category A) installations.

Features

- 2 year warranty
- Hassle-free installation
- Connects to ProHub or ProExtender
- Easily monitor all units with Site Manager*
- Controlled by ProHub, not affected by background noise

Product Dimensions



Overall Height	205mm
Casing Height	150mm
Width	195mm
Depth	45mm
Weight	~700g

*Subscription to InSite required.

Specification Overview

Power	2 x LR14 C-Size batteries
Warranty	2 years
Colour	Black or white
Casing	ABS Plastic
Activation	Radio signal (433-434 MHz)
Radio range	Typical internal range 30-40m
Hold open position	Can hold the door at any angle
Maximum door size	Power size 7 (maximum of 160kg and 1600mm width)
Audible warning	Yes
Compliant to	EN1155:1997+A1:2002, EN1634-1:2008, EMC Directive, Radio Equipment Directive, CE Marked, UKCA Marked
Classification	Critical (Category A) installations under BS 7273-4:2015+A1:2021
Installation position	Bottom of door
Part number	360-1551 Dorgard Pro Black 956-8278 Dorgard Pro White