

## Belinda WSOU IS Addressable Wall Mount Fire Sounder

### EN54-3/ 17

#### Description

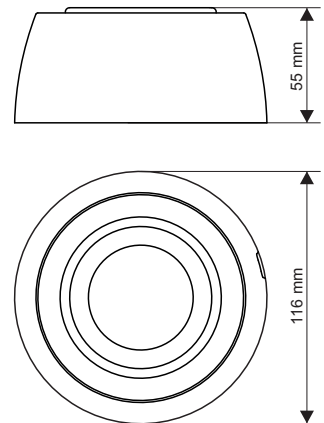
Belinda WSOU IS is an addressable Wall Mount Sounder designed for installing in addressable fire alarm systems supporting TTE communication protocol. The device is powered on from the panel and can be controlled via the communication protocol. Belinda WSOU IS is compatible with fire base B124. The sounder has a built-in isolator module.



#### Technical and Environmental Specifications

Operating Voltage Range . . . . . 15 - 32VDC (Nom. 27VDC)  
 Nominal consumption (stand-by). . . . . <500µA@27VDC  
 Maximal consumption (main tone type 27):  
 - low volume level. . . . . <5mA  
 - high volume level . . . . . <16.5mA  
 Maximal consumption (other tone types):  
 - low volume level. . . . . <4mA  
 - high volume level . . . . . <10mA  
 Consumption with activated isolator . . . . . <15mA  
 Power volume (main tone type 27):  
 - low volume . . . . . ~ 80dB (A) ± 6dB @ 1m  
 - high volume. . . . . ~ 92dB (A) ± 5dB @ 1m  
 Power volume (other tone types):  
 - low volume . . . . . 75-85dB ± 3dB @ 1m  
 - high volume. . . . . 80-95dB ± 3dB @ 1m  
 Number of tone types . . . . . 32  
 Supported communication protocol. . . . . TTE  
 Wire Gauge for terminals . . . . . 2.5mm<sup>2</sup>  
 Relative humidity resistance . . . . . (93 ± 3)% @ 40°C  
 Protection. . . . . IP21C  
 Weight . . . . . 183g  
 Dimensions (without base) . . . . . 116x55mm  
 Color . . . . . white  
 Material . . . . . ABS

CE<sub>17</sub>  
 1293  
 DoP No: 005  
 1293-CPR-0464 Rev.1  
 Tested by EVPN



#### Packing Information

- **Packing box** - 1 unit Belinda WSOU IS, dimensions 117x120x57 mm.
- **Carton box** - 40 units Belinda WSOU IS, dimensions 520x250x367 mm.

#### Compatible Product Range

- **IRIS** - Addressable Fire Panel, 4 loops, 96 Zones
- **IRIS PRO** - Addressable Fire Panel, metal box, 4 loops, 96 Zones
- **SIMPO** - Addressable Fire Panel, 2 loops, 48 Zones
- **SensolIRIS B124** - Standard Base
- **DeepBase W** - Deep base accessory, white, for mounting on rough surfaces, outdoor pipelines, etc.
- **SensolIRIS Programmer** - Address Programming Tool

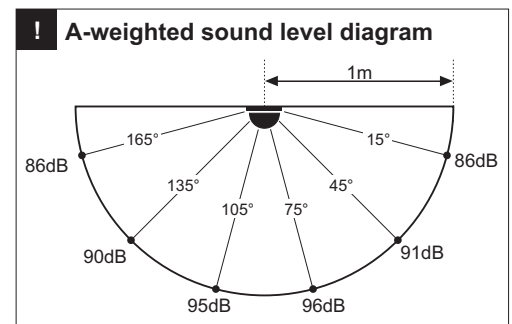
#### Contact Information:

## Belinda WSOU IS Addressable Wall Mount Fire Sounder

### EN54-3/ 17

#### Supported Tone Types and Description

Tone	Tone Type	Tone Description / Application
1		970Hz
2		800Hz/970Hz @ 2Hz
3		800Hz - 970Hz @ 1Hz
4		970Hz 1s OFF/1s ON
5		970Hz, 0.5s/ 630Hz, 0.5s
6		554Hz, 0.1s/ 440Hz, 0.4s (AFNOR NF S 32 001)
7		500 - 1200Hz, 3.5s/ 0.5s OFF (NEN 2575:2000)
8		420Hz 0.625s ON/0.625s OFF (Australia AS1670 Alert tone)
9		500 - 1200Hz, 0.5s/ 0.5s OFF x 3/1.5s OFF (AS1670 Evacuation)
10		550Hz/440Hz @ 0.5Hz
11		970Hz, 0.5s ON/0.5s OFF x 3/ 1.5s OFF (ISO 8201)
12		2850Hz, 0.5s ON/0.5s OFF x 3/1.5s OFF (ISO 8201)
13		1200Hz - 500Hz @ 1Hz (DIN 33 404)
14		400Hz
15		550Hz, 0.7s/1000Hz, 0.33s
16		1500Hz - 2700Hz @ 3Hz
17		750Hz
18		2400Hz
19		660Hz
20		660Hz 1.8s ON/1.8s OFF
21		660Hz 0.15s ON/0.15s OFF
22		510Hz, 0.25s/ 610Hz, 0.25s
23		800/1000Hz 0.5s each (1Hz)
24		250Hz - 1200Hz @ 12Hz
25		500Hz - 1200Hz @ 0.33Hz
26		2400Hz - 2900Hz @ 9Hz
27		<b>2400Hz - 2900Hz @ 3Hz</b> 2500Hz (main sound frequency)
28		800Hz - 970Hz @ 100Hz
29		800Hz - 970Hz @ 9Hz
30		800Hz - 970Hz @ 3Hz
31		800Hz, 0.25s ON/1s OFF
32		500Hz - 1200Hz, 3.75s/0.25s OFF (AS2220)



#### Contact Information: