

DS-2CD6B35G0-PLW
3 MP Network Micro Camera

- High quality imaging with 3 MP resolution
- Clear imaging against strong back light due to 120 dB true WDR technology
- Supports white light and 24/7 colorful imaging
- Easy installation with small lens and recommended within 0.1 m to 0.5 m of object
- Built-in microphone for real-time audio security
- Water and dust resistant (IP67)
- Realize Wi-Fi connection with coverage up to 80 m in open areas

▪ Specification

| Camera | |
|-----------------------------|--|
| Image Sensor | 1/2.7" Progressive Scan CMOS |
| Max. Resolution | 2048 × 1536 |
| Min. Illumination | Color: 0.005 Lux @ (F1.2, AGC ON) |
| Shutter Time | 1/3 s to 1/100,000 s |
| Lens | |
| Lens Type | Fixed focal lens, 4 mm |
| Focal Length & FOV | 4 mm, horizontal FOV 74.9°, vertical FOV 59°, diagonal FOV 89.4° |
| Iris Type | Fixed |
| Focus | Auto,Manual,Semi-auto |
| DORI | |
| DORI | D: 82.2 m, O: 32.6 m, R: 16.4 m, I: 8.2 m |
| Illuminator | |
| Supplement Light Type | White Light |
| Supplement Light Range | Up to 0.5 m |
| Video | |
| Main Stream | 50 Hz: up to 25 fps, default by 15 fps (2048 × 1536, 1920 × 1080, 1280 × 720) 60 Hz: up to 30 fps, default by 15 fps (2048 × 1536, 1920 × 1080, 1280 × 720) |
| Sub-Stream | 50 Hz: up to 25 fps, default by 10 fps (704 × 576, 640 × 480) 60 Hz: up to 30 fps, default by 10 fps (704 × 480, 640 × 480) |
| Video Compression | Main stream: H.265/H.264, Sub-stream: H.265/H.264/MJPEG |
| H.264 Type | Baseline Profile,Main Profile,High Profile |
| H.265 Type | Main Profile |
| Bit Rate Control | CBR,VBR |
| Scalable Video Coding (SVC) | H.264 and H.265 encoding |
| Region of Interest (ROI) | 1 fixed region for main stream |
| Video Bit Rate | 32 Kbps to 8 Mbps |
| Audio | |
| Audio Type | Mono sound |
| Audio Compression | G.711/G.722.1/G.726/MP2L2/PCM/MP3/AAC-LC |
| Audio Bit Rate | 64 Kbps (G.711ulaw/G.711alaw)/16 Kbps (G.722.1)/16 Kbps (G.726)/32 to 160 Kbps (MP2L2)/8 to 48 Kbps (PCM)/8 to 160 Kbps (MP3)/16 to 64 Kbps (AAC-LC) |
| Audio Sampling Rate | 16 kHz |
| Environment Noise Filtering | Yes |
| Network | |
| Protocols | SNMP, DDNS, RTP, UDP, UPnP, DHCP, IGMP, NTP, IPv4, SSL/TLS, TCP/IP, RTSP, ICMP, IPv6, QoS, DNS, HTTP |
| Simultaneous Live View | Up to 15 channels |
| API | ONVIF,ISAPI,SDK,ISUP |
| User/Host | Up to 32 users 3 user levels: administrator, operator, and user |
| Network Storage | NAS (NFS, SMB/CIFS),NVR |
| Client | iVMS-4200,Hik-Connect,HCP |

| | |
|----------------------------------|---|
| Security | Password protection, complicated password, HTTPS encryption, 802.1X authentication (EAP-TLS, EAP-LEAP, EAP-MD5), watermark, IP address filter, basic and digest authentication for HTTP/HTTPS, WSSE and digest authentication for Open Network Video Interface, RTP/RTSP OVER HTTPS, Control Timeout Settings, Security Audit Log, TLS 1.2, TLS 1.3 |
| Web Browser | Plug-in required live view: IE 10, IE 11, Plug-in free live view: Chrome 57.0+, Firefox 52.0+, Edge 89+, Safari 11+, Local service: Chrome 57.0+, Firefox 52.0+, Edge 89+ |
| Wi-Fi | |
| Encryption Mode | 64/128-bit WEP, WPA-EAP/WPA2-EAP, WPA-PSK/WPA2-PSK, WPS ,WAPI-PSK, WAPI-CERT |
| Wi-Fi Protocol | IEEE802.11b,IEEE802.11g,IEEE802.11n |
| Frequency Range | 2.4 GHz to 2.4835 GHz |
| Channel Bandwidth | 20/40 MHz |
| Modulation | 802.11b: CCK, QPSK, BPSK, 802.11g/n: OFDM |
| Wireless Range | Up to 80 m (The performance varies based on actual environment) |
| Image | |
| Image Settings | saturation,brightness,contrast,sharpness,adjustable by client software or web browser |
| Wide Dynamic Range (WDR) | 120 dB |
| Day/Night Switch | Day,Night,Auto,Schedule |
| Image Enhancement | BLC,HLC,3D DNR,Distortion Correction |
| Privacy Mask | 4 rectangular privacy masks |
| Interface | |
| Ethernet Interface | 1 RJ45 10 M/100 M self-adaptive Ethernet port |
| On-Board Storage | Built-in memory card slot, support microSD/microSDHC/microSDXC card, up to 512 GB |
| Built-in Microphone | 1 built-in microphone |
| Reset Key | Yes |
| Event | |
| Basic Event | Motion detection |
| Linkage | Upload to FTP/NAS/memory card,notify surveillance center,trigger recording |
| General | |
| Power | 12 VDC \pm 25%, 0.33 A, max. 4 W, \varnothing 5.5 mm coaxial power plug |
| Material | Main body: Aluminum Alloy |
| Dimension | 96.6 mm \times 106 mm \times 52 mm (3.803" \times 4.173" \times 2.047") |
| Package Dimension | 272 mm \times 167 mm \times 98 mm (10.71" \times 6.57" \times 3.86") |
| Weight | Approx. 370 g (0.816 lb.) |
| With Package Weight | Approx. 550 g (1.21 lb.) |
| Storage Conditions | -30 $^{\circ}$ C to 60 $^{\circ}$ C (-22 $^{\circ}$ F to 140 $^{\circ}$ F). Humidity 95% or less (non-condensing) |
| Startup and Operating Conditions | -30 $^{\circ}$ C to 60 $^{\circ}$ C (-22 $^{\circ}$ F to 140 $^{\circ}$ F). Humidity 95% or less (non-condensing) |
| Language | 33 languages: English, Russian, Estonian, Bulgarian, Hungarian, Greek, German, Italian, Czech, Slovak, French, Polish, Dutch, Portuguese, Spanish, Romanian, Danish, Swedish, Norwegian, Finnish, Croatian, Slovenian, Serbian, Turkish, Korean, Traditional Chinese, Thai, Vietnamese, Japanese, Latvian, Lithuanian, Portuguese (Brazil), Ukrainian |

| | |
|------------------|--|
| General Function | mirror |
| Approval | |
| EMC | CE-EMC: EN 55032:2015+A1:2020, EN 50130-4:2011+A1:2014, EN IEC 61000-3-2:2019+A1:2021, EN 61000-3-3:2013+A1:2019+A2:2021 |
| Safety | CB: IEC 62368-1: 2014, CE-LVD: EN 62368-1: 2014/A11: 2017 |
| RF | CE-RED: EN 301 489-1 V2.2.3, EN 301 489-17 V3.2.4, EN 300 328 V2.2.2, EN IEC 62311: 2020 |
| Environment | CE-RoHS: 2011/65/EU, WEEE: 2012/19/EU, Reach: Regulation (EC) No 1907/2006 |
| Protection | IP67: IEC 60529-2013 |

▪ Typical Application

Hikvision products are classified into three levels according to their anti-corrosion performance. Refer to the following description to choose for your using environment.

This model has NO SPECIFIC PROTECTION.

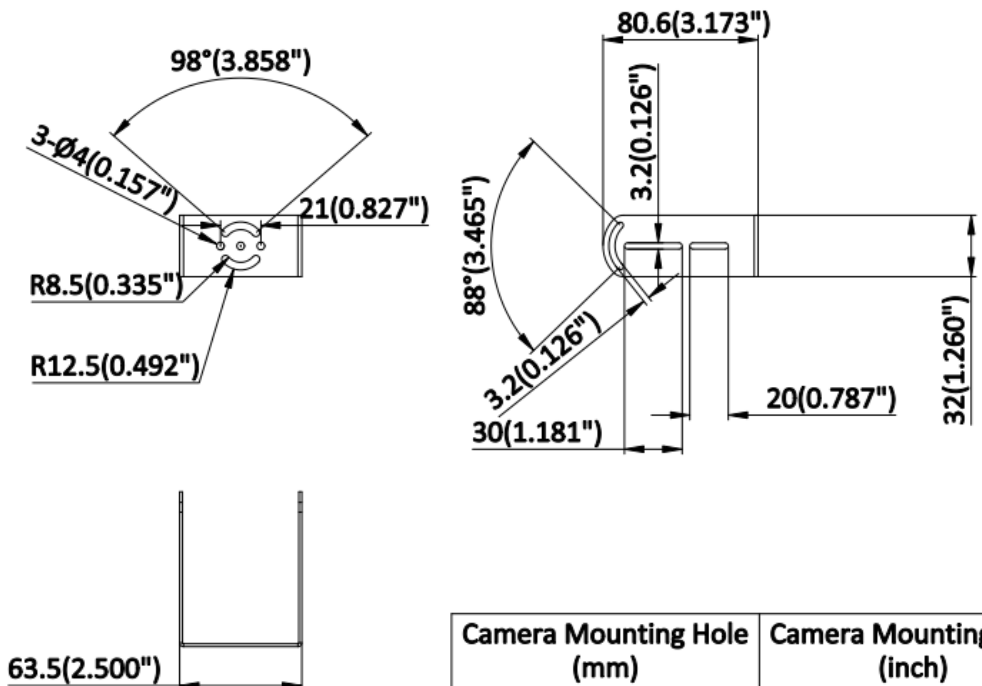
| Level | Description |
|------------------------|--|
| Top-level protection | Hikvision products at this level are equipped for use in areas where professional anti-corrosion protection is a must. Typical application scenarios include coastlines, docks, chemical plants, and more. |
| Moderate protection | Hikvision products at this level are equipped for use in areas with moderate anti-corrosion demands. Typical application scenarios include coastal areas about 2 kilometers (1.24 miles) away from coastlines, as well as areas affected by acid rain. |
| No specific protection | Hikvision products at this level are equipped for use in areas where no specific anti-corrosion protection is needed. |

▪ Available Model

DS-2CD6B35G0-PLW(4mm)

▪ Dimension

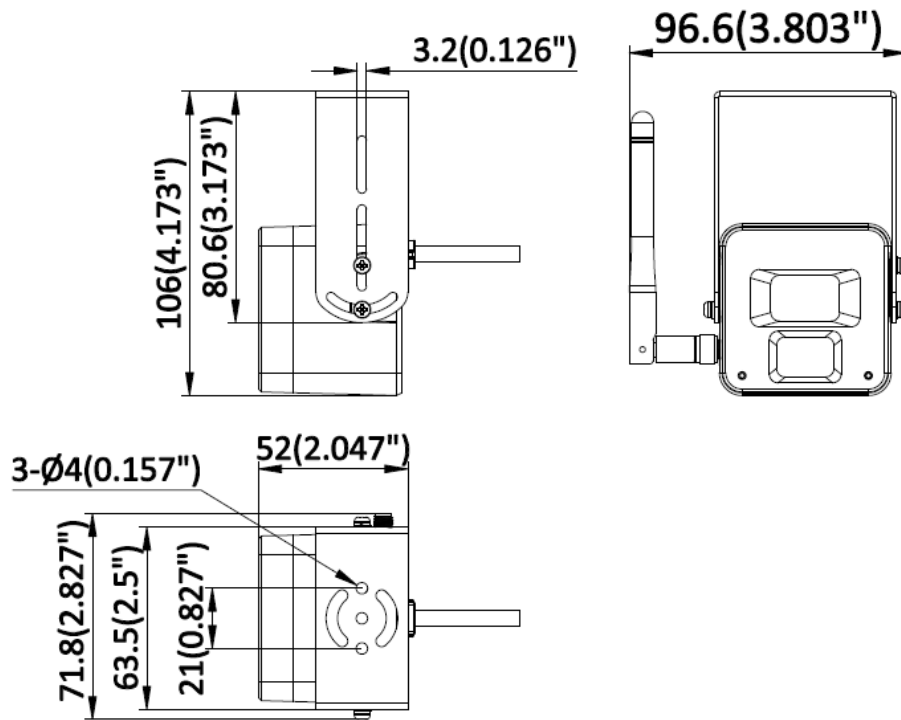
U-Shaped Mount



Unit:mm(inch)

| Camera Mounting Hole (mm) | Camera Mounting Hole (inch) |
|---------------------------|-----------------------------|
| | |
| | |

| Wall Mounting Hole (mm) | Wall Mounting Hole (inch) |
|-------------------------|---------------------------|
| 3*∅8.5 | 3*∅0.335" |



Unit:mm(inch)

| Camera Mounting Hole(mm) | Camera Mounting Hole(inch) |
|--------------------------|----------------------------|
| 3*φ4 | 3*φ4 |

See Far, Go Further



www.hikvision.com
support@hikvision.com

