

**DS-2CD6B55G0-PL(/T1)**  
**5 MP Network Micro Camera**



- High quality imaging with 5 MP resolution
- Clear imaging against strong back light due to 120 dB true WDR technology
- Supports white light and 24/7 colorful imaging
- Easy installation with small lens and recommended within 0.1 m to 0.5 m of object
- Built-in microphone for real-time audio security
- Water and dust resistant (IP67)

## ▪ Specification

Camera	
Image Sensor	1/2.7" Progressive Scan CMOS
Max. Resolution	2560 × 1920
Min. Illumination	Color: 0.005 Lux @ (F1.2, AGC ON)
Shutter Time	1/3 s to 1/100,000 s
Lens	
Lens Type	Fixed focal lens, 4 mm,VCM Lens
Focal Length & FOV	4 mm, horizontal FOV 79.6°, vertical FOV 63.8°, diagonal FOV 93.4°
Iris Type	Fixed
Aperture	F2.0
Focus	Manual
DORI	
DORI	D: 82.2 m, O: 32.6 m, R: 16.4 m, I: 8.2 m
Illuminator	
Supplement Light Type	White Light
Supplement Light Range	Up to 0.5 m
Video	
Main Stream	50 Hz: up to 25 fps (2560 × 1920, 2560 × 1440, 1920 × 1080) 60 Hz: up to 24 fps (2560 × 1920, 2560 × 1440, 1920 × 1080)
Sub-Stream	50 Hz: up to 25 fps (1280 × 720, 704 × 576, 640 × 480) 60 Hz: up to 24 fps (1280 × 720, 704 × 480, 640 × 480)
Video Compression	Main stream: H265+/H264+/H.265/H.264, Sub-stream: MJPEG/H.265/H.264
H.264 Type	Baseline Profile,Main Profile,High Profile
H.265 Type	Main Profile
Bit Rate Control	CBR,VBR
Scalable Video Coding (SVC)	H.264 and H.265 encoding
Region of Interest (ROI)	1 fixed region for main stream
Video Bit Rate	32 Kbps to 8 Mbps
Audio	
Audio Type	Mono sound
Audio Compression	G.711/G.722.1/G.726/MP2L2/PCM/AAC-LC
Audio Bit Rate	64 Kbps (G.711ulaw/G.711alaw)/16 Kbps (G.722.1)/16 Kbps (G.726)/32 to 192 Kbps (MP2L2)/8 to 48 Kbps (PCM)/16 to 64 Kbps (AAC-LC)
Audio Sampling Rate	16 kHz/32 kHz
Environment Noise Filtering	Yes
Network	
Protocols	IGMP, UPnP, RTSP, NTP, SNMP, RTP, DHCP, DDNS, FTP, SSL/TLS, IPv4, IPv6, DNS, ICMP, HTTP, HTTPS, 802.1X, QoS, TCP/IP, UDP
Simultaneous Live View	Up to 8 channels
API	ONVIF,ISAPI,SDK,ISUP
User/Host	Up to 32 users 3 user levels: administrator, operator, and user
Network Storage	NAS (NFS, SMB/CIFS),NVR
Client	iVMS-4200,Hik-Connect,HCP

Security	Password protection, complicated password, HTTPS encryption, 802.1X authentication (EAP-TLS, EAP-LEAP, EAP-MD5), watermark, IP address filter, basic and digest authentication for HTTP/HTTPS, WSSE and digest authentication for Open Network Video Interface, RTP/RTSP OVER HTTPS, Control Timeout Settings, Security Audit Log, TLS 1.2, TLS 1.3
Web Browser	Plug-in required live view: IE 10, IE 11, Plug-in free live view: Chrome 57.0+, Firefox 52.0+, Edge 89+, Safari 11+, Local service: Chrome 57.0+, Firefox 52.0+, Edge 89+
<b>Image</b>	
Image Settings	saturation,brightness,contrast,sharpness,adjustable by client software or web browser
Day/Night Switch	Day,Night,Auto,Schedule
Wide Dynamic Range (WDR)	120 dB
Image Enhancement	BLC,HLC,3D DNR,Defog
Privacy Mask	4 rectangular privacy masks
<b>Interface</b>	
Ethernet Interface	1 RJ45 10 M/100 M self-adaptive Ethernet port
On-Board Storage	Built-in memory card slot, support microSD/microSDHC/microSDXC card, up to 512 GB
Built-in Microphone	1 built-in microphone
Reset Key	Yes
<b>Event</b>	
Basic Event	Motion detection,video tampering alarm,network disconnected,IP address conflict,illegal login,HDD full,HDD error
Linkage	Upload to FTP/NAS/memory card,notify surveillance center,send email,trigger recording,trigger capture
<b>General</b>	
Power	12 VDC $\pm$ 25%, 0.25 A, max. 3 W, $\varnothing$ 5.5 mm coaxial power plug, PoE: IEEE 802.3af, Class 3, 36 V to 57 V, 0.09 A to 0.06 A, max. 3.3 W
Material	Main body: Aluminum Alloy
Dimension	60.4 mm $\times$ 58.9 mm $\times$ 30 mm (2.378" $\times$ 2.319" $\times$ 1.181")
Package Dimension	220 mm $\times$ 150 mm $\times$ 153 mm (8.66" $\times$ 5.905" $\times$ 6.02")
Weight	Approx. 260 g (0.573 lb.)
With Package Weight	Approx. 485 g (1.07 lb.), T1: Approx. 565 g (1.25 lb.)
Storage Conditions	-30 $^{\circ}$ C to 60 $^{\circ}$ C (-22 $^{\circ}$ F to 140 $^{\circ}$ F). Humidity 95% or less (non-condensing)
Startup and Operating Conditions	-30 $^{\circ}$ C to 60 $^{\circ}$ C (-22 $^{\circ}$ F to 140 $^{\circ}$ F). Humidity 95% or less (non-condensing)
Language	18 languages: Traditional Chinese, English, Bulgarian, Hungarian, German, Czech, Slovak, French, Portuguese, Spanish, Russian, Japanese, Turkish, Korean, Thai, Estonian, Vietnamese, Lithuanian
General Function	Heartbeat,mirror,password protection,one-key reset
<b>Approval</b>	
EMC	CE-EMC: EN 55032:2015+A1:2020, EN 50130-4:2011+A1:2014, EN IEC 61000-3-2:2019+A1:2021, EN 61000-3-3:2013+A1:2019+A2:2021
Safety	CB: IEC 62368-1: 2014, CE-LVD: EN 62368-1: 2014/A11: 2017

Environment	CE-RoHS: 2011/65/EU, WEEE: 2012/19/EU, Reach: Regulation (EC) No 1907/2006
Protection	IP67: IEC 60529-2013

### ▪ Typical Application

Hikvision products are classified into three levels according to their anti-corrosion performance. Refer to the following description to choose for your using environment.

This model has NO SPECIFIC PROTECTION.

Level	Description
Top-level protection	Hikvision products at this level are equipped for use in areas where professional anti-corrosion protection is a must. Typical application scenarios include coastlines, docks, chemical plants, and more.
Moderate protection	Hikvision products at this level are equipped for use in areas with moderate anti-corrosion demands. Typical application scenarios include coastal areas about 2 kilometers (1.24 miles) away from coastlines, as well as areas affected by acid rain.
No specific protection	Hikvision products at this level are equipped for use in areas where no specific anti-corrosion protection is needed.

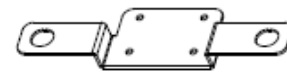
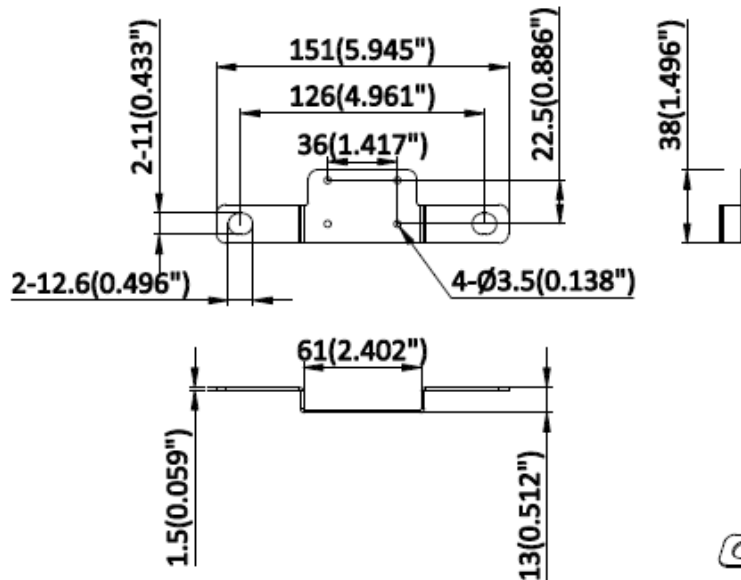
### ▪ Available Model

DS-2CD6B55G0-PL(4mm)

DS-2CD6B55G0-PL/T1(4mm)

### ▪ Dimension

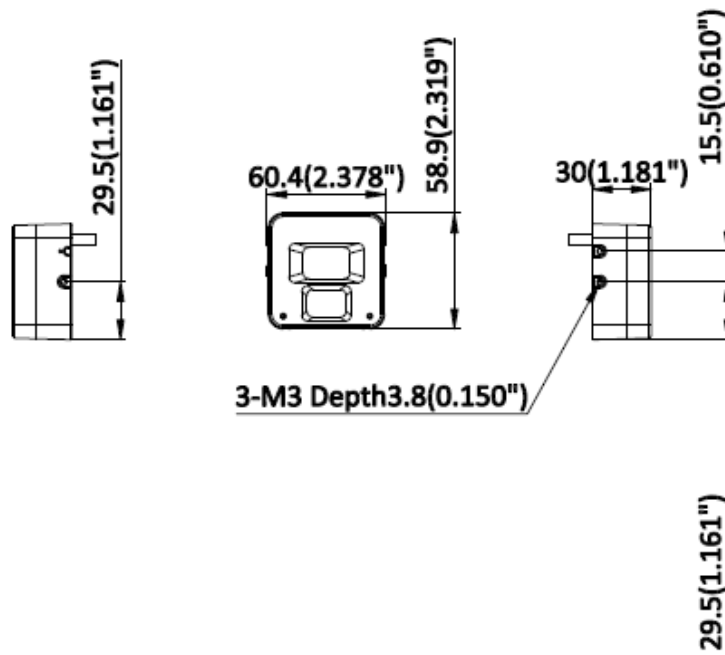
# Back Mount



Camera Mounting Hole(mm)	Wall Mounting Hole(inch)
4-Ø3.5	4-Ø0.138"
Wall Mounting Hole (mm)	Wall Mounting Hole (inch)

Unit:mm(inch)

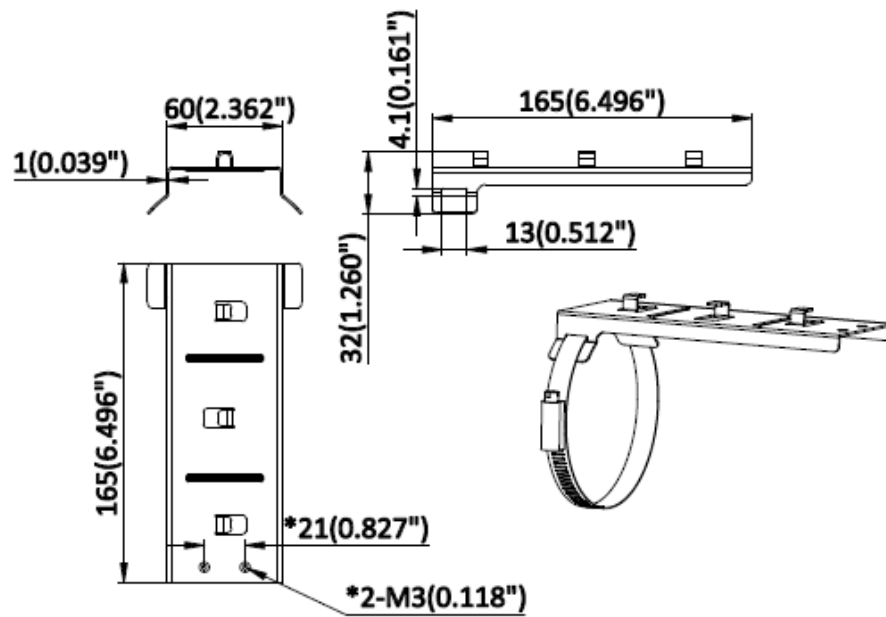
# DS-2CD6B55G0-PL(/T1)



Unit:mm(inch)

Camera Mounting Hole (mm)	Camera Mounting Hole (inch)
3-M3	3-M0.118"

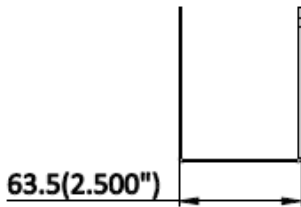
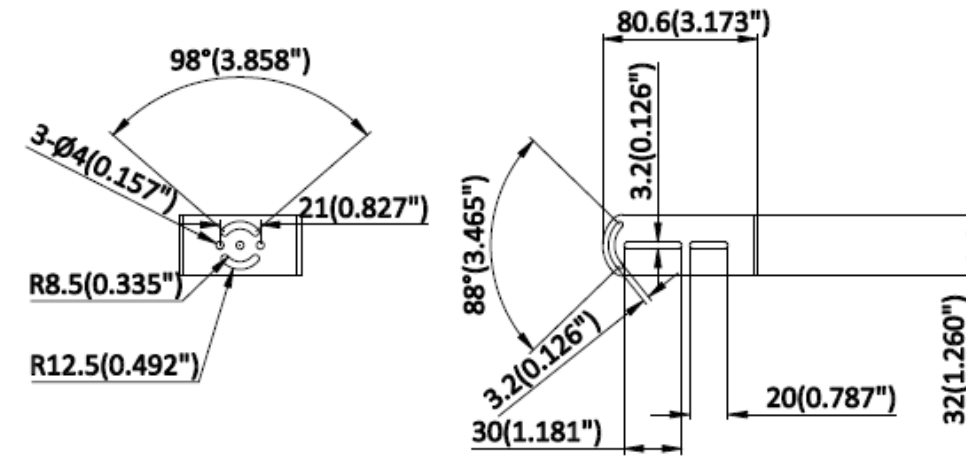
## Connection Mount And Hoop



Camera Mounting Hole(mm)	Wall Mounting Hole(inch)
Wall Mounting Hole (mm)	Wall Mounting Hole (inch)

Unit:mm(inch)

# U-Shaped Mount



Unit:mm(inch)

Camera Mounting Hole (mm)	Camera Mounting Hole (inch)

Wall Mounting Hole (mm)	Wall Mounting Hole (inch)
3*Ø8.5	3*Ø0.335"



# See Far, Go Further



[www.hikvision.com](http://www.hikvision.com)  
[support@hikvision.com](mailto:support@hikvision.com)

