

MAXIMUS MHX RANGE, BRACKETS



MHXWBS

WALL MOUNT BRACKET

Made of AISI 316L electropolished stainless steel

Load rating: 40kg (88lb)

Length: 440mm (17.3in)

Suitable for: MPXCW, MPXCOL



MHXWBS

MPXCOL

POLE MOUNT ADAPTOR

Made of AISI 316L electropolished stainless steel

For pole diameters: from 110mm (4.3in) up to 150mm (5.9in)

Load rating: 50kg (110lb)

Dimensions: 198x182mm (7.8x7.2in)



MPXCOL

MPXCW

CORNER MOUNT ADAPTOR

Made of AISI 316L electropolished stainless steel

Load rating: 50kg (110lb)

Dimensions: 335x186mm (13.2x7.3in)

Suitable for: MPXWBA, MHXWBS



MPXCW

MHXFWCA

PARAPET MOUNTING BRACKET

Made of AISI 316L electropolished stainless steel

Load rating: 40kg (88lb)

Dimensions: Ø 101.6mm (4in)

Compatible with the bracket: NXFWBT



MHXFWCA

NXFWBT

EXTENSION BRACKET FOR PARAPET MOUNTING

Suitable for MHXFWCA ball joint

Suitable to MVX housings only if coupled with MHXFWCA joint

Made of AISI 316L electropolished stainless steel

Load rating: 70kg (154lb)

Height: 124mm (4.9in)

Suitable for: NXWBPTH1



NXFWBT

MBXMP

PLATE FOR ASSEMBLY OF THE MAXIMUS MBX WITH MPXCOL POLE ADAPTOR OR WITH MPXCW CORNER ADAPTOR

In stainless steel

Dimensions: 220x240x10mm (8.7x9.4x0.4in)



MBXMP

TECHNICAL DATA

MHXWBS

MECHANICAL

Bracket for MHX, MHXT, NXM, NXM36, NXM36 Hi-PoE, NXW, NTW, NTM

Suitable for MPXCOL, MPXCW

Made of AISI 316L electropolished stainless steel

Load rating: 40kg (88lb)

Length: 440mm (17.3in)

Unit weight: 5.4kg (11.9lb)

PART NUMBER

MHXWBS AISI 316L stainless steel wall bracket

PACKAGE

Model Number	Weight	Dimensions (WxHxL)	Master carton
MHXWBS	6.5kg (14.3lb)	58x34x22cm (23x13.4x8.7in)	-

MPXCOL

MECHANICAL

Suitable for MHXWBS

Suitable for MPXWBA

Made of AISI 316L electropolished stainless steel

For pole diameters: 110-150mm (4.3-5.9in)

Load rating: 50kg (110lb)

Unit weight: 4.5kg (9.9lb)

PART NUMBER

MPXCOL AISI 316L stainless steel pole adapter module

PACKAGE

Model Number	Weight	Dimensions (WxHxL)	Master carton
MPXCOL	4.9kg (10.8lb)	24x15x21.5cm (9.4x6x8.5in)	6

MPXCW

MECHANICAL

Suitable for MPXWBA

Suitable for MHXWBS

Made of AISI 316L electropolished stainless steel

Load rating: 50kg (110lb)

Dimensions: 335x186mm (13.2x7.3in)

Unit weight: 3.6kg (7.9lb)

PART NUMBER

MPXCW AISI 316L stainless steel corner adapter module

PACKAGE

Model Number	Weight	Dimensions (WxHxL)	Master carton
MPXCW	4.8kg (10.6lb)	36.5x25.5x26cm (14.4x10x10.2in)	5

MHXWFCA

MECHANICAL

Ball joint for housings: MVX, MVXT, MVXHD, MHX, MHXT, NXM, NXM36, NXM36 Hi-PoE, NXW, NTW, NTM

Suitable for: NXFWBT

Made of AISI 316L electropolished stainless steel

Load rating: 40kg (88lb)

Dimensions: Ø 101.6mm (4in)

Unit weight: 2kg (4.4lb)

PART NUMBER

MHXWFCA AISI 316L stainless steel ball joint

PACKAGE

Model Number	Weight	Dimensions (WxHxL)	Master carton
MHXWFCA	2.5kg (5.5lb)	19x19x19 cm (7.5x7.5x7.5in)	-

NXFWBT

MECHANICAL

Suitable for: MHXWFCA

Suitable to MVX housings only if coupled with MHXWFCA joint

Suitable for NXWBPTH1

Made of AISI 316L electropolished stainless steel

Load rating: 70kg (154lb)

Height: 124mm (4.9in)

Unit weight: 0.9kg (2lb)

PART NUMBER

NXFWBT AISI 316L stainless steel parapet mounting bracket

PACKAGE

Model Number	Weight	Dimensions (WxHxL)	Master carton
NXFWBT	1kg (2.2lb)	10x16x23cm (4x6x9in)	-

MBXMP

MECHANICAL

In stainless steel

Suitable for MPXCW, MPXCOL

Dimensions: 220x240x10mm (8.7x9.4x0.4in)

Unit weight: 3.7kg (8lb)

PART NUMBER

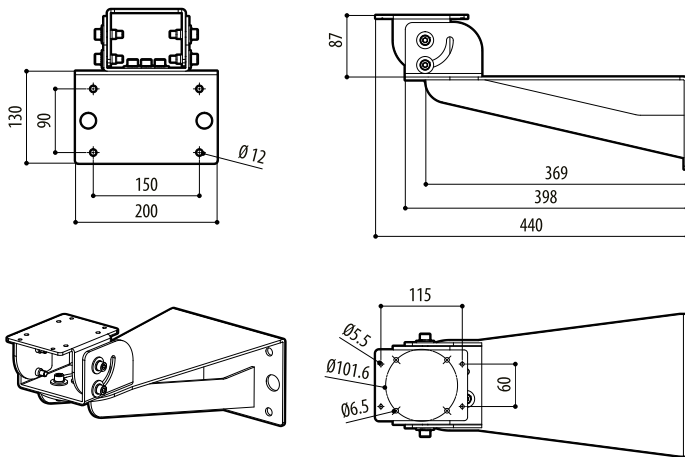
MBXMP Plate for assembly of the MAXIMUS MBX with MPXCOL pole adaptor or with MPXCW corner adaptor

PACKAGE

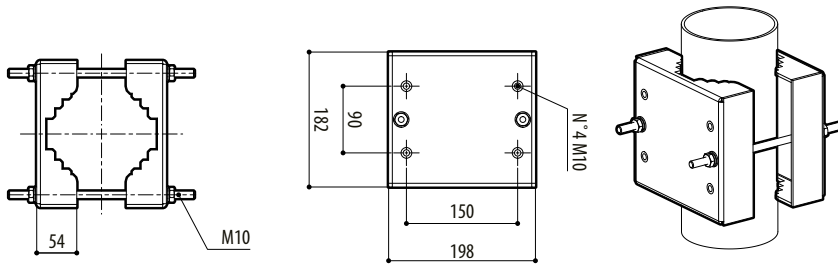
Model Number	Weight	Dimensions (WxHxL)	Master carton
MBXMP	4kg (8.8lb)	33x27x7.5cm (13x10.6x3in)	-

TECHNICAL DRAWINGS

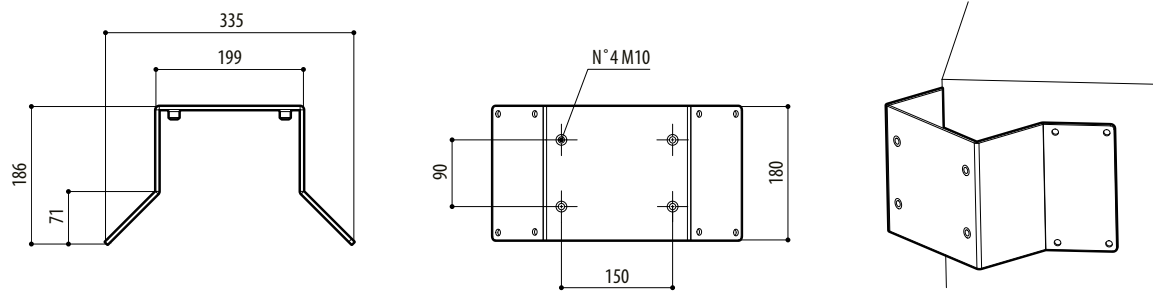
The indicated measurements are expressed in millimetres.



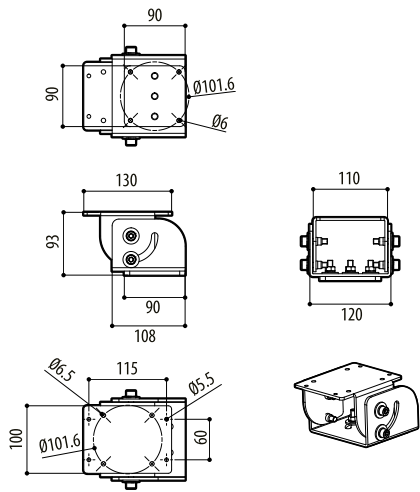
MHXWBS



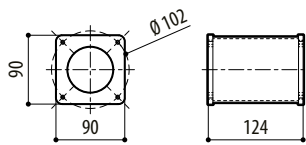
MPXCOL



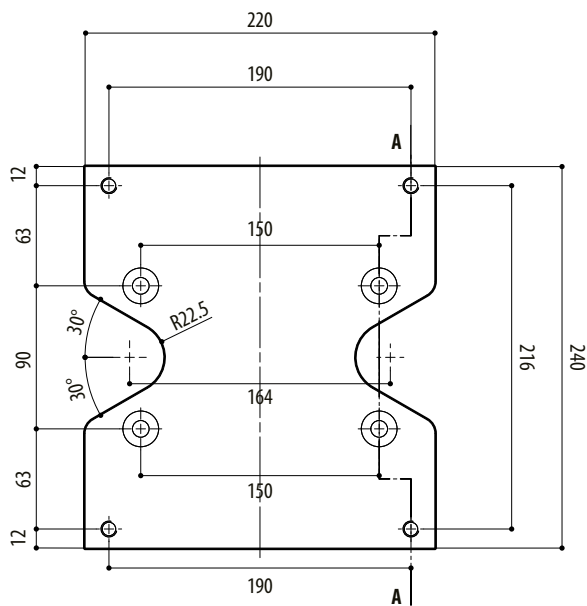
MPXCW



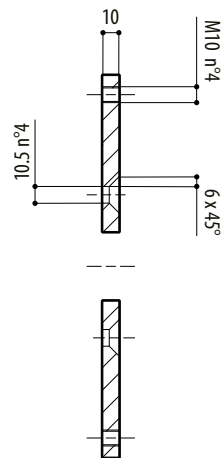
MHXFWCA



NXFWBT



MBXMP



SECTION A-A