

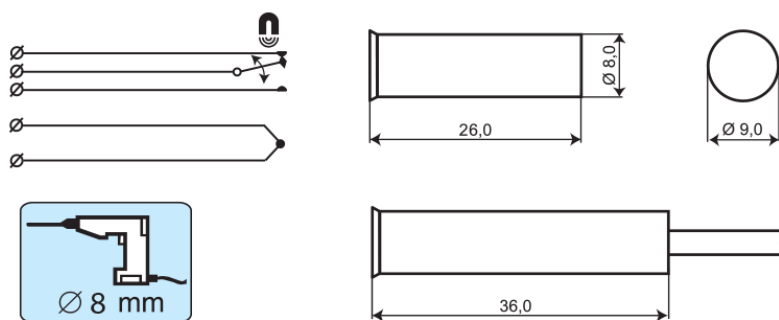
MC 372

High Security Contact,
Recessed mounting, NC/NO

Technical data



MC 372 is a high security magnetic contact with change-over NC/NO function that can be used in both alarm and access control systems for monitoring doors and windows against unauthorized opening. The contact is specially designed for use in banks, museums, art galleries, stores, etc. Both the contact and the magnet part are in a water proof (IP 67) plastic housing, which enables easy installation into wood without additional accessories. Contact and magnet are paired. To ensure proper functionality, do not replace the contact or magnet alone.



ORDERING INFORMATION

Model	Description
MC 372	Recessed magnetic contact, NC/NO, 2 m cable
MC 372-5	Recessed magnetic contact, NC/NO, 5 m cable
MC 372-10	Recessed magnetic contact, NC/NO, 10 m cable