

# RIM 35

## Relay Interface Module for ASD

Beginning with production number 060320

The RIM 35 is an expansion module for the ASD 533 and ASD 535 aspirating smoke detector. It has 5 relays with potential-free change-over contacts.

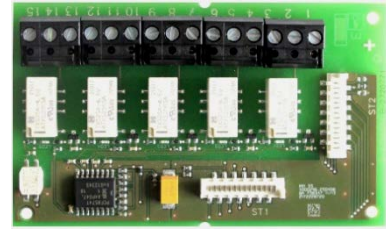


Fig. 1 RIM 35

### Description

Up to two RIM 35 units can be installed in the ASD aspirating smoke detector. Depending on device version, the relays can be configured with pre-defined criteria (Default) or can be freely programmed using the "ASD Config" configuration software.

### Mounting / Installation

There are four expansion slots for mounting the optional expansion modules in the detector box of the ASD.

In the installation set of the RIM 35 there are module holders, retaining screws and the connection cable (ribbon cable) for connecting to the AMB 33 or AMB 35 (see Fig. 2).

RIM 35 Relay Interface Modules are always connected to Option3. If two RIM 35 units are installed, the second RIM 35 is supplied with electrical power from the first RIM 35 (cascading according to Fig. 3). The RIM 35 connected to the AMB on the Option3 connector is always the first RIM 35.

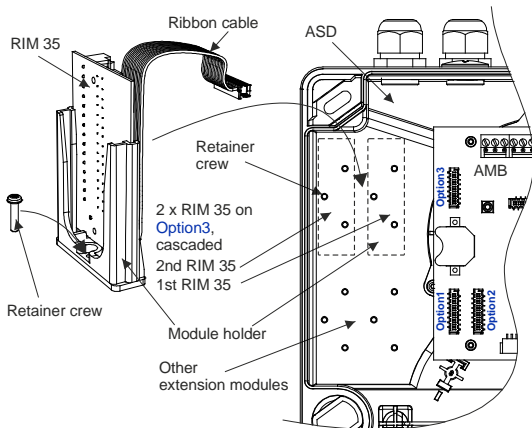


Fig. 2 Installing the RIM 35

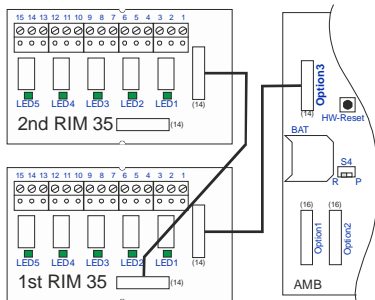


Fig. 3 Wiring the RIM 35

### Programming

Depending on ASD device version, the relays can be configured with the following criteria (default) or can be freely programmed with the "ASD Config" configuration software.

RIM / relay	Device version	Function, Event	
1 <sup>st</sup> RIM / Rel. 1	all	Pre-signal 1 smoke sensor I	
1 <sup>st</sup> RIM / Rel. 2		Pre-signal 2 smoke sensor I	
1 <sup>st</sup> RIM / Rel. 3		Pre-signal 3 smoke sensor I	
1 <sup>st</sup> RIM / Rel. 4		Smoke sensor I dirty	
1 <sup>st</sup> RIM / Rel. 5		Sampling tube I blockage	
2 <sup>nd</sup> RIM / Rel. 1	ASD 533	Freely programmable	
2 <sup>nd</sup> RIM / Rel. 2		Freely programmable	
2 <sup>nd</sup> RIM / Rel. 3		ASD 535-1	Freely programmable
2 <sup>nd</sup> RIM / Rel. 4		ASD 535-3	Freely programmable
2 <sup>nd</sup> RIM / Rel. 5		Freely programmable	
2 <sup>nd</sup> RIM / Rel. 1	ASD 535-2	Pre-signal 1 smoke sensor II	
2 <sup>nd</sup> RIM / Rel. 2		Pre-signal 2 smoke sensor II	
2 <sup>nd</sup> RIM / Rel. 3		Pre-signal 3 smoke sensor II	
2 <sup>nd</sup> RIM / Rel. 4		ASD 535-4	Smoke sensor II dirty
2 <sup>nd</sup> RIM / Rel. 5		Sampling tube II blockage	

The available criteria that can be programmed on the relays can be found in Technical Description T 140 287 or T 131 192, section 7.2.2.

### Displays

For each relay on the RIM 35 there is a green LED which indicates the triggered state of the relay (see also Fig. 3).

### Commissioning

The RIM 35 is automatically detected when the device is switched on and monitored from then on. If the RIM is subsequently removed (e.g. because it is not used), it must be logged off via the control unit on the AMB 35 Main board (see Technical Description T 140 287 or T 131 192, section 7.3.7).

# Data sheet

## Terminal assignment

Terminal	Signal	
1	Rel. 1 "NO"	Pre-signal 1 or freely programmable
2	Rel. 1 "NC"	
3	Rel. 1 "COM"	
4	Rel. 2 "NO"	Pre-signal 2 or freely programmable
5	Rel. 2 "NC"	
6	Rel. 2 "COM"	
7	Rel. 3 "NO"	Pre-signal 3 or freely programmable
8	Rel. 3 "NC"	
9	Rel. 3 "COM"	
10	Rel. 4 "NO"	Dirty smoke sensor or freely programmable
11	Rel. 4 "NC"	
12	Rel. 4 "COM"	
13	Rel. 5 "NO"	Sampling pipe blockage or freely programmable
14	Rel. 5 "NC"	
15	Rel. 5 "COM"	



Depending on the ASD device version, the assigned criteria (signals) upon product delivery apply to smoke sensor I on the first RIM 35 and to smoke sensor II on the second RIM 35. The assignment of individual or all relays can be changed with the "ASD Config" configuration software.

If two RIM 35 devices are deployed in the ASD 533, ASD 535-1 or ASD 535-3, the relays of the second RIM 35 are not configured with default criteria. The required programming must be performed with the "ASD Config" configuration software.

## Dimensional drawing

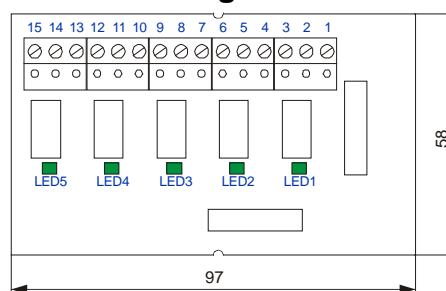


Fig. 4 RIM 35 dimensional drawing

## Article numbers / spare parts

Brief description	Article number	
RIM 35, incl. installation set	11-2200031-01-XX	
Technical descriptions	ASD 533	T 140 287
	ASD 535	T 131 192
Data sheets	ASD 533	T 140 288
	ASD 535	T 131 193

## Technical data

Type	RIM 35 (painted version)	
Operating voltage from AMB	5	V-DC
Maximum current consumption	15	mA
Max. loading capacity relay contact	50 (UL max. 30)	V-DC
	1	A
	30	W
Ambient conditions acc. to IEC 60721-3-3 / EN 60721-3-3	3K5 / 3Z1	class
Extended ambient conditions:		
• RIM 35 temperature range	-30 – +60 (UL max. +40)	°C
• Max. permitted storage temperature (without condensation)	-30 – +70	°C
• Humidity ambient condition (transient without condensation)	95	% rel/F
• Humidity ambient condition (continuous)	70	% rel/F
Plug-in terminals	2.5	mm <sup>2</sup>
Dimensions (H x W x D)	97 x 58 x 17	mm
Weight (including module holder)	85	g