

RIM 36

Relay Interface Module

From production version 010421 and FW version 01.01.01
 Firmware version:

- ASD 531 / 532 From 01.00.00
- ADW 535 From 01.01.11

The RIM 36 is an additional module for ASD and ADW special fire detectors. It has 5 relays with potential-free change-over contacts.

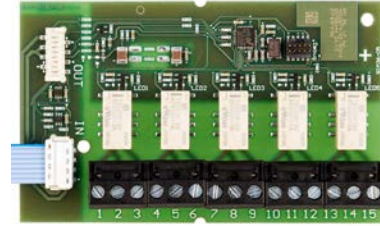


Fig. 1 RIM 36

Description

Up to two RIM 36 units can be built into special fire detectors such as aspirating smoke detector ASD and line type heat detector ADW. Depending on device version, the relays can be configured with pre-defined criteria (Default) or can be freely programmed using the "ASD / ADW Config" configuration software.

Mounting / Installation

There are several expansion slots for mounting the optional additional modules in the housing of the special fire detector.

The mounting set of the RIM 36 includes module holders, retainer screws and the connection cable (ribbon cable) for connecting to the main board of the special fire detector (see Fig. 2).

RIM 36 relay interface modules must always be connected to the main board on the associated plug. If two RIM 36 units are installed, the second RIM 36 is supplied with electrical power from the first RIM 36 (cascading according to Fig. 3). The RIM 36 connected to the main board of the special fire detector is always the first RIM 36.

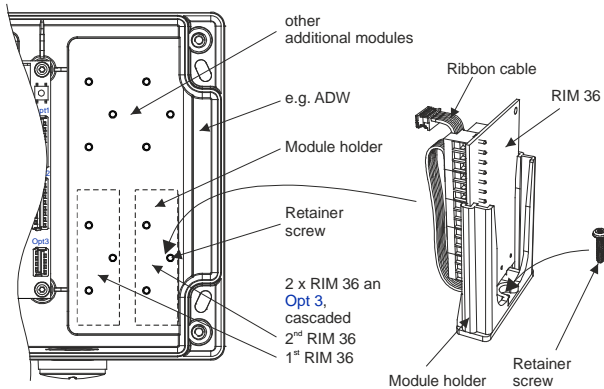


Fig. 2 Installation of the RIM 36

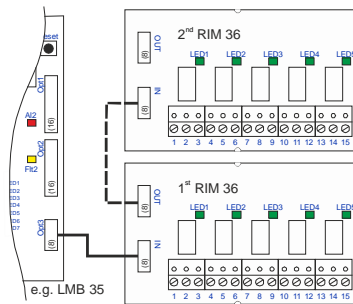


Fig. 3 Wiring of the RIM 36

Programming

Depending on the device version, the relays can be configured with default criteria or can be freely programmed using the "ASD / ADW Config" configuration software (see Technical description of the special fire detector).

Displays

A green LED indicating the triggered state of the relay is on each relay on the RIM 36 (see also Fig. 3).

Commissioning

The RIM 36 is automatically detected when the device is switched on and monitored from then on. If the RIM is subsequently removed (e.g. because it is not used), it must be logged off via the control unit on the special fire detector (see Technical description).

Terminal assignment

Terminal	Signal	
1	Rel. 1 "NO"	Default criterion or freely programmable
2	Rel. 1 "NC"	
3	Rel. 1 "COM"	
4	Rel. 2 "NO"	Default criterion or freely programmable
5	Rel. 2 "NC"	
6	Rel. 2 "COM"	
7	Rel. 3 "NO"	Default criterion or freely programmable
8	Rel. 3 "NC"	
9	Rel. 3 "COM"	
10	Rel. 4 "NO"	Default criterion or freely programmable
11	Rel. 4 "NC"	
12	Rel. 4 "COM"	
13	Rel. 5 "NO"	Default criterion or freely programmable
14	Rel. 5 "NC"	
15	Rel. 5 "COM"	



Depending on the ASD device version, the assigned criteria (signals) at product delivery apply to smoke sensor I / sensing tube I on the first RIM 36 and to smoke sensor II / sensing tube II on the second RIM 36. The assignment of individual or all relays can be changed with the "ASD / ADW Config" configuration software.

If two RIM 36 devices are deployed in a special fire detector with only one smoke sensor / sensing tube, the relays of the second RIM 36 are not configured with default criteria. The required programming must be performed with the "ASD / ADW Config" configuration software.

Dimensioned drawing

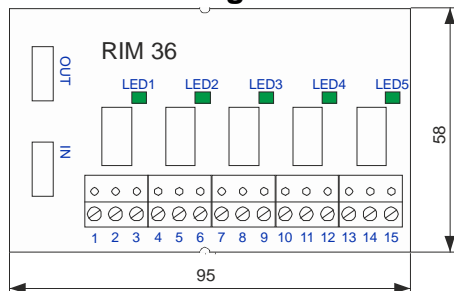


Fig. 4 RIM 36 dimensioned drawing

Article numbers and spare parts

Short designation	Article number	
RIM 36, incl. mounting set	11-2200005-01-XX	
Technical descriptions	ASD 531	T 140 416
	ASD 532	T 140 421
	ADW 535	T 140 358
	ADW 535HDx	T 140 458
Data sheets	ASD 531	T 140 417
	ASD 532	T 140 422
	ADW 535	T 140 359
Operating instructions	ADW 535HDx	T 140 459

Technical data

Type	RIM 36 (painted version)	
Operating voltage from main board	3.3	VDC
Maximum power consumption	48	mA
Max. loading capacity, relay contact	50 (UL / ATEX max. 30)	VDC
	1 (ATEX max. 0.1)	A
	30 (ATEX max. 20)	W
Ambient conditions acc. to IEC 60721-3-3 / EN 60721-3-3	3K5 / 3Z1	class
Extended ambient conditions:		
• RIM 36 temperature range	-30 – +70 (UL max. +40)	°C
• max. permitted storage temperature (without condensation)	-30 – +70	°C
• Humidity ambient condition (transient without condensation)	95	% rel. humidity
• Humidity ambient condition (continuous)	70	% rel. humidity
Plug-in terminals	2.5	mm ²
Dimensions (W x H x D, without/with packaging)	95 x 58 x 17 / 155 x 108 x 64	
Weight (including module holder, without/with packaging)	85 / 155	
		g

Changes to index "c" on page: 2