

Datasheet

Alta Video

PTZ Camera

Alta H6A PTZ Camera

Pan, tilt and zoom in the cloud



Introducing the Avigilon Alta H6A PTZ camera — a cloud-native solution for real-time security. With 360-degree views and up to 30x zoom, effortlessly monitor large areas indoors or outdoors. From parking lots to shopping malls, capture every detail without missing a beat.



Strengthen monitoring capabilities

Tackle more use cases and improve the protection of large areas by integrating the H6A PTZ into your existing fixed cameras set-up for unparalleled situational awareness.



Increase coverage with less

A single H6A PTZ can monitor multiple angles and areas, allowing you to reduce the number of cameras needed and lowering your total cost of ownership.



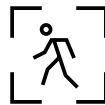
Deploy where you need it

For indoor applications, leverage the in-ceiling mount for a more discreet solution. For outdoors, deploy the weather and vandal-proof pendant mount for optimal durability.



Capture every detail in real-time

Get a close-up look at evidentiary detail with up to 30x zoom. When incidents arise, swiftly direct the H6A PTZ to where you need it to manually track and capture critical events.



Stay ahead with AI-powered video

Take action before an incident escalates with AI-powered video analytics to proactively alert you of potentially critical events.



Trust that your data is secured

Avigilon Alta video security solutions are built on a trusted, cybersecure platform that protects your data end-to-end from the camera to the cloud.

To learn more, visit avigilon.com/h6a-ptz



Specifications

IMAGE PERFORMANCE		2 MP	4 MP
Image Sensor	1/1.8" progressive scan CMOS		
Active Pixels (H x V)	1920 (H) x 1080 (V)	2560 (H) x 1440 (V)	
Aspect Ratio	16:9		
Dynamic Range	80 dB		
Dynamic Range (HDR On, Measured According to IEC 62676 Part 5)	Up to 122 dB (dual exposure, 30 fps)		
Max Frame Rate	(50 Hz/60 Hz): 25 fps/30 fps	(50 Hz/60 Hz): 25 fps/30 fps	
Streaming Resolutions: Max. (H x V)	1920 x 1080	2560 x 1440	
Streaming Resolutions: High (H x V)	1280 x 720	1920 x 1080	
Streaming Resolutions: Medium (H x V)	848 x 480	1280 x 720	
Streaming Resolutions: Low (H x V)	640 x 360	640 x 360	
LENS		2 MP	4 MP
Lens	6.5 mm to 162.5 mm, F/1.6 – F/4.8		
Angle of View, Wide (Horizontal x Vertical)	58.1 x 34.8		
Angle of View, Tele (Horizontal x Vertical)	2.3 x 1.4		
Zoom	30X Enhanced Optical		
Lens Control	Remote Zoom and Focus, Autofocus, Auto Iris		
IMAGE CONTROL		2 MP	4 MP
Image Compression Method	H.264		
Electronic Shutter Control	Automatic		
Day/Night Control	Automatic, Manual		
Flicker Control	ON/OFF		
Iris Control	Automatic		
White Balance	Automatic		
P/T Presets	300 configurable		



NETWORK	
Network	100BASE-TX, 1000BASE-T with Auto MDI/MDI-X speed
Cabling Type	CAT5e minimum
Connector	RJ-45
ONVIF ¹	ONVIF compliance, Profile S, Profile T, Profile G, and Profile M (www.onvif.org)
Security	Password protection, HTTPS encryption
Protocol	IPv6, IPv4, HTTP, HTTPS, SOAP, DNS, NTP, RTSP, RTCP, RTP, TCP, UDP, IGMP, ICMP, DHCP, ARP, HSTS
Streaming Protocols	WebRTC, RTP/RTSP/UDP, RTP/RTSP/TCP, RTP/RTSP/HTTP/TCP, RTP/RTSP/HTTPS/TCP
Secure Boot	Yes
Platform Compatibility	Avigilon Alta Aware, Avigilon Unity ACC ¹ , 3rd party VMS ¹

¹ Requires the camera to be running Avigilon Unity firmware.

AUXILIARY I/O	
Audio Input/Output ¹	Full Duplex Line level input and output
Audio Compression Method	G.711 PCM 8 kHz, Opus
External I/O Terminals ²	3x Alarm In (3.5VDC/3.5mA MAX), 1x NO Relay Out (32VDC/150mA MAX), 1x Digital Out (13VDC/140mA MAX), 1 x 12VDC source (11~13VDC/140 mA MAX)

¹ Audio output is not currently supported.

² Not currently supported.

MECHANICAL	IN-CEILING MOUNT	PENDANT MOUNT
Dimensions (LxWxH), Camera Only (In Shipping Box)	263 mm × 225 mm x 225 mm (280 mm x 267 mm x 551 mm); 10.4 in × 8.8 in x 8.8 in (11 in x 10.5 in x 21.7 in)	302 mm × 242 mm x 242 mm (280 mm x 267 mm x 551 mm); 11.9 in × 9.5 in x 9.5 in (11 in x 10.5 in x 21.7 in)
Weight, Camera Only (In Shipping Box)	3.45 kg (4.90 kg); 7.60 lb. (10.78 lb.)	4.15 kg (5.60 kg); 9.13 lb. (12.31 lb.)
Maximum Ceiling Thickness	1.75" (44.5 mm)	N/A
Dome Bubble	Polycarbonate	
Body	Polycarbonate and aluminum	
Housing	Recessed mount	Pendant mount
Finish	Plastic injection mold close to RAL9002 and Black; Powdercoat Gray, AKZO Nobel JP301H; Sand Grain Texture with Satin Sheen	
Pan Range	360° continuous	
Tilt Range	±95° (190° total)	
Pan Speed	0.05-500°/sec w/IEEE 802.3at Type 2, Class 4 0.05-750°/sec w/IEEE 802.3bt Type 3, Class 6 0.05-900°/sec w/IEEE 802.3bt Type 4, Class 8	
Tilt Speed	0.05-160°/sec w/IEEE 802.3at Type 2, Class 4 0.05-250°/sec w/IEEE 802.3bt Type 3, Class 6 0.05-300°/sec w/IEEE 802.3bt Type 4, Class 8	
Preset Accuracy	0.1°	



ELECTRICAL	IN-CEILING MOUNT	PENDANT MOUNT
Power Source, PoE	IEEE 802.3 at Type 2, Class 4 compliant	IEEE 802.3at Type 2, Class 4 compliant* IEEE802.3bt Type 3, Class 6 compliant* IEEE802.3bt Type 4, Class 8 compliant*
PoE Power Consumption	25W Maximum	70W Maximum
Electrical	In-Ceiling Mount	Pendant Mount
Power Source, Aux	Aux 24 VDC/VAC +/- 10%	
AUX Power Consumption	35W (DC source), 55VA (AC source) Maximum	70W (DC source), 85VA (AC source) Maximum
RTC Backup Battery	3V manganese lithium	
Auxillary Power Connector	2-Pin Screw terminal removable plug	
Memory	4GB, RAM, 4GB Flash	

* Using anything less than a Type 4, Class 8 PSE will result in reduced environmental and pan/tilt speed specifications.

ENVIRONMENTAL	IN-CEILING MOUNT	PENDANT MOUNT
Operating Temperature	-10 °C to +50 °C (14 °F to 122 °F)	-10 °C to +60 °C (14 °F to 140 °F), w/ IEEE 802.3at Type 2, Class 4 -40 °C to +60 °C (-40 °F to 140 °F), w/ IEEE802.3bt Type 3, Class 6 -51 °C to +60 °C (-59.8 °F to 140 °F), w/ IEEE802.3bt Type 4, Class 8
Boot Temperature*	-10 °C to +50 °C (14 °F to 122 °F)	-10 °C to +60 °C (14 °F to 140 °F), w/ IEEE 802.3at Type 2, Class 4 -25 °C to +60 °C (-13 °F to 140 °F), w/ IEEE802.3bt Type 3, Class 6 -40 °C to +60 °C (-40°F to 140 °F), w/ IEEE802.3bt Type 4, Class 8
Absolute Maximum Temperature	74 °C (165 °F) per NEMA TS2 (Temp.) para 2.2.7.2 - 2.2.7.7	
Storage Temperature	-10 °C to +70 °C (14 °F to 158 °F)	
Operating Humidity	10 - 90% non-condensing	10 - 100%

* Connection/Streaming expected within 5 minutes, Full Operation expected within 60 minutes.

CERTIFICATIONS	IN-CEILING MOUNT	PENDANT MOUNT
Certifications/Approvals	UL, cUL, CE, ROHS, RCM, UKCA, NOM, KC, BIS	
Safety Standards	UL 62368-1, CSA 62368-1, IEC/EN 62368-1	
	UL 2043 (Plenum)	N/A
Electromagnetic Emissions Standards	FCC Part 15 Subpart B (Class A) ICES-003 (Class A) EN 55032 (Class A) EN IEC 61000-6-8 (Class A) EN 61000-3-2 EN 61000-3-3	
Electromagnetic Immunity Standards	EN 55035 EN 61000-6-1 EN 61000-6-2 EN 50121-4 EN 50130-4	
NEMA TS2	N/A	NEMA TS2 paragraph 2.2.7-2.2.9
Warranty	Limited 5 Year Warranty	



Analytics specifications

DETECTED ATTRIBUTES

Object Attributes

Vehicle, sub-types:

- Small/Medium Vehicles (sedan, SUV, pickup truck, etc.)
- Large Vehicles (bus, truck)
- Two-wheeled Vehicles (bicycle, motorcycle)
- Unclassified Vehicles

Color:

- Only this color
- Ignore this color

Person:

- Fall detection
Accessories: With bag, Without bag, Bag Held, Picked-up, Dropped
- Color: Only this color, Ignore this color, Upper body color, Lower body color

Face recognition¹:

- Face search
- Face watchlists

¹ Requires additional license. Check national and local legislation for guidance on the use of face search and face watchlists.

SUPPORTED SOUND EVENTS²

Sound Events

- Glass breaking
- Loud noise
- Gun shot
- Screaming
- Smoke alarm
- Car alarm
- Ultrasound panic alarm
- Dog bark
- Tire screeching

²Requires compatible microphone.

ANALYTIC RULES SUPPORTED

Appearance

Rule triggered when an object of the selected type and attributes appears.

Loitering

Rule triggered when an object of the selected type and attributes loiters for the selected period of time.

Counts

Rule triggered when the count of objects of the selected type either exceeds or is less than the selected threshold.

Sound³

Rule triggered when sounds of specified types is detected.

³ Requires compatible microphone. Requires additional license for listening/recording of audio.



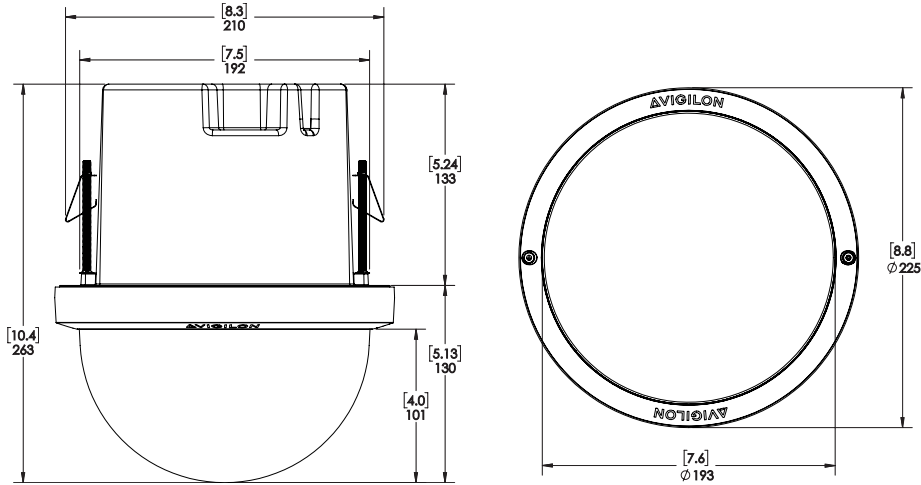
ANALYTIC FEATURES	FEATURE STATUS
Object detection (vehicles, people, faces, bag etc.) Appearance search	Works with any view
Loitering rules	Any view
Object counting	Any view
Audio analytics, streaming, and recording	Connect external microphone to audio line in
Line crossing	Home position only
Image health	Home position only
License Plate Recognition	Not currently supported
Area of interest	Not currently supported
Auto tracking	Not currently supported
Privacy masks	Not currently supported
Anomaly detection	Not applicable



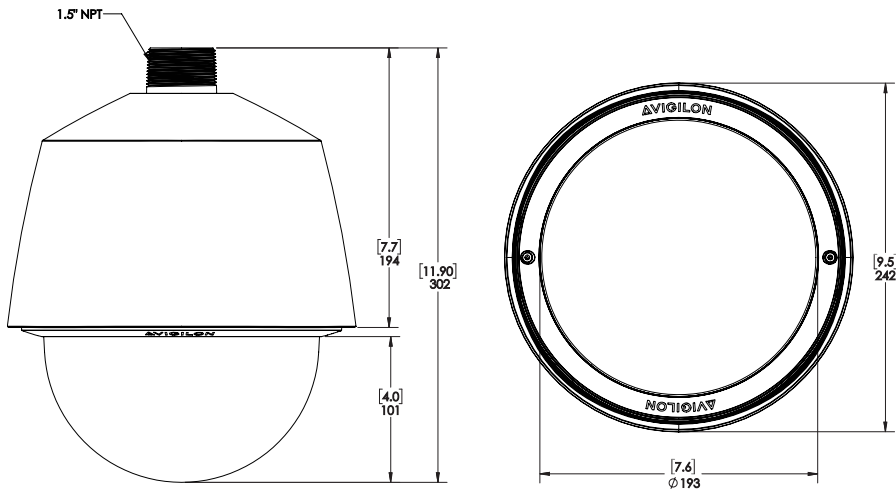
Outline Dimensions

[X.X]	INCHES
X	MM

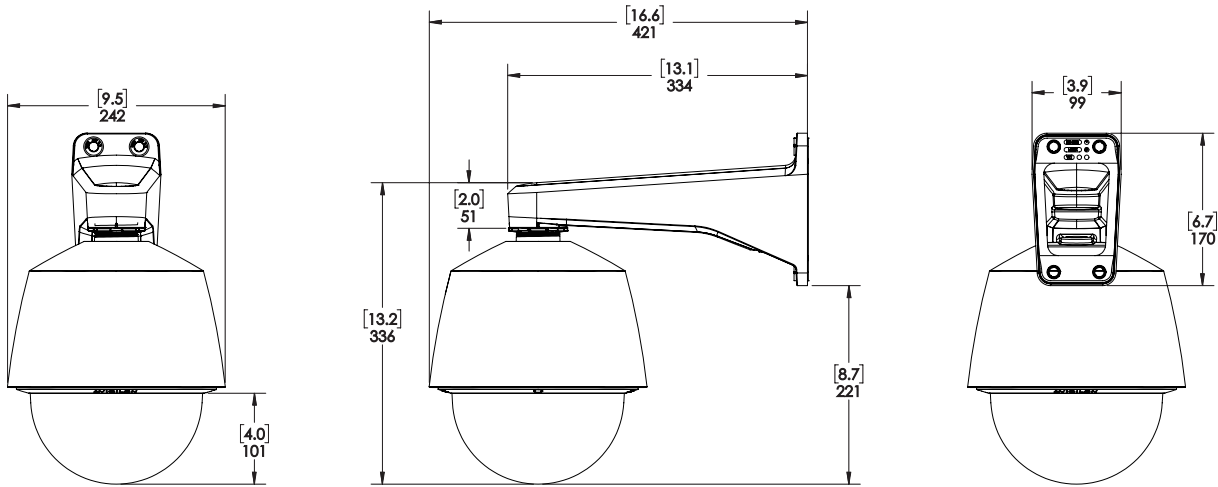
In-Ceiling PTZ Dome Camera (H6A-PTZ-DC)



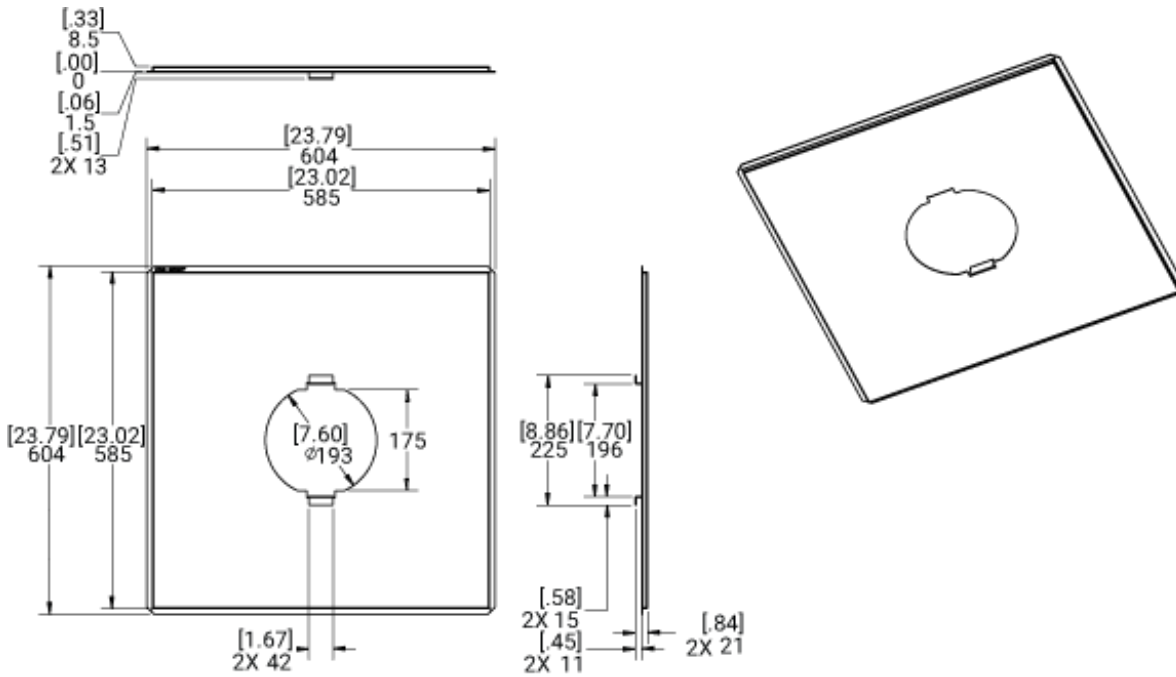
Pendant PTZ Dome Camera (H6A-PTZ-DP)



Pendant PTZ Dome Camera with Wall Arm (H6A-PTZ-DP + WLMT-1031)



Metal Ceiling Panel (PTZ-CPNL-G)



Ordering Information

CAMERA MODEL	DESCRIPTION	RESOLUTION (MEGAPIXELS)	DAYS OF STORAGE	IP66/67
2.0C-H6A-PTZ-DC30-30	CAM, H6A PTZ, In-Ceiling, 2MP, 30X	2.0	30 Days	
2.0C-H6A-PTZ-DP30-30	CAM, H6A PTZ, Pendant, 2MP, 30X	2.0	30 Days	✓
4.0C-H6A-PTZ-DC30-30	CAM, H6A PTZ, In-Ceiling, 4MP, 30X	4.0	30 Days	
4.0C-H6A-PTZ-DP30-30	CAM, H6A PTZ, Pendant, 4MP, 30X	4.0	30 Days	✓
2.0C-H6A-PTZ-DC30-60	CAM, H6A PTZ, In-Ceiling, 2MP, 30X	2.0	60 Days	
2.0C-H6A-PTZ-DP30-60	CAM, H6A PTZ, Pendant, 2MP, 30X	2.0	60 Days	✓
4.0C-H6A-PTZ-DC30-60	CAM, H6A PTZ, In-Ceiling, 4MP, 30X	4.0	60 Days	
4.0C-H6A-PTZ-DP30-60	CAM, H6A PTZ, Pendant, 4MP, 30X	4.0	60 Days	✓
2.0C-H6A-PTZ-DC30-120	CAM, H6A PTZ, In-Ceiling, 2MP, 30X	2.0	120 Days	
2.0C-H6A-PTZ-DP30-120	CAM, H6A PTZ, Pendant, 2MP, 30X	2.0	120 Days	✓
4.0C-H6A-PTZ-DC30-120	CAM, H6A PTZ, In-Ceiling, 4MP, 30X	4.0	120 Days	
4.0C-H6A-PTZ-DP30-120	CAM, H6A PTZ, Pendant, 4MP, 30X,	4.0	120 Days	✓
2.0C-H6A-PTZ-DC30-365	CAM, H6A PTZ, In-Ceiling, 2MP, 30X	2.0	365 Days	
2.0C-H6A-PTZ-DP30-365	CAM, H6A PTZ, Pendant, 2MP, 30X	2.0	365 Days	✓
4.0C-H6A-PTZ-DC30-365	CAM, H6A PTZ, In-Ceiling, 4MP, 30X	4.0	365 Days	
4.0C-H6A-PTZ-DP30-365	CAM, H6A PTZ, Pendant, 4MP, 30X,	4.0	365 Days	✓

ACCESSORIES	DESCRIPTION
WLMT-1031	Mount, Pendant Arm, 30 cm Long, 1.5 NPT
WLMT-1021	Pendant wall arm, 1.5" NPT female, 20 cm (7.8") long
PLMT-1001	Pole mount adapter
CRNMT-1001	Corner mount adapter
PD-9001GR/AT/AC-*MSI	Indoor single port PoE+ 30W injector. Injector operational temperature range -20 °C to +40 °C (-4 °F to 104 °F). *NA/EU/UK/AU options available.
POE60U-1BTE	Gigabit 802.3bt 60 W PoE Injector
POE90U-1BT	PoE injector 802.3bt 90W Single Port
PTZ-CPNL-G	Metal Ceiling Panel for In-Ceiling Installations, Grey
PTZH6A-SMK50	Replacement smoked dome, 50% tint
PTZH6A-CLRBBL	Replacement clear dome



Support

Learn more and find additional documentation at avigilon.com or email sales@avigilon.com for specific product support.



AVIGILON

Motorola Solutions, Inc. 500 West Monroe Street, Chicago, IL 60661 U.S.A. motorolasolutions.com

© 2024, Avigilon Corporation. All rights reserved. MOTOROLA, MOTO, MOTOROLA SOLUTIONS and the Stylized M Logo are trademarks or registered trademarks of Motorola Trademark Holdings, LLC and are used under license. All other trademarks are the property of their respective owners.

20241125-en