

Alta H5A Modular Camera

3 MP

5 MP

The Avigilon Alta H5A Modular camera is designed to help secure areas with limited space and meet discreet monitoring requirements. Configure with a Micro Bullet imager, perfect for ATMs and retail checkouts, or a Right Angle imager for installation in ceilings or false walls. The imager modules can be easily positioned to help you capture the perfect shot, whether for identification or to understand activity in the area. The Alta H5A Modular comes with Alta Aware's intelligent video analytics to help provide insight and expedite response times for critical events.



Features



Seamless cloud connectivity

The Alta H5A Modular camera works with the cloud-native Alta Aware VMS. View, search and share video across all your cameras and sites easily, from anywhere.



Smarter, faster responses

Get alerted in real-time about key events with AI-powered analytics. Alta Aware can notify you of events with people, vehicles and anomalies to help improve security.



Highly customizable

A modular design gives you the ability to choose between different resolutions and form factors to get the unique coverage you need for your site.



Open platform

Alta Aware VMS uses an open API architecture so you can link third-party hardware or software, like PoS systems, for improved visibility and insight. The Alta H5A Modular is also ONVIF® conformant to work with third-party systems.



Fast, flexible installation

Detachable cables help reduce installation times and enable flexible positioning of the imager modules. Scan the camera QR code to quickly onboard to Aware.



Get the perfect shot

Lightweight form factors let you install in almost any environment, including tight spaces and discreet applications, to get the visibility you need to help keep your spaces safe.

ONVIF is a trademark of Onvif, Inc.

Specifications - Main Unit

Image Control and Performance		
Image Compression Method		H.264, Motion JPEG
Max Image Rate	Frame Rate (50 Hz/60 Hz)	(≤ 5 MP) 25 fps/30 fps (6 MP) 25 fps/24 fps (8 MP) 20 fps/20 fps (10 MP) 12.5 fps/15 fps
Dynamic Range		Up to 120 dB
Electronic Shutter Control		Automatic
Flicker Control		60 Hz, 50 Hz
White Balance		Automatic
Privacy Zones		Up to 64 zones

Auxiliary		
Audio Compression Method		G.711 PCM 8 kHz, Opus
Audio Input/Output ¹		Line level input and output
External I/O Terminals ²		Alarm In, Alarm Out

¹ Not currently supported.

² Not currently supported.

Network		
Network		100BASE-TX
Cabling Type		CAT5E cabling for PoE Coaxial cabling for imager modules
Connector		RJ-45 for PoE HD BNC for imager modules
ONVIF*		ONVIF compliance Profile S, Profile T, Profile G, and Profile M (www.onvif.org)
Security		Password protection, HTTPS encryption
Protocols		IPv4, HTTP, HTTPS, SOAP, DNS, NTP, RTSP, RTCP, RTP, TCP, UDP, IGMPv3, ICMP, DHCP, Zeroconf, HSTS
Streaming Protocols		WebRTC, RTP/RTSP/UDP, RTP/RTSP/TCP, RTP/RTSP/HTTP/TCP, RTP/RTSP/HTTPS/TCP

* Requires the camera to be running Avigilon Unity firmware.

Mechanical		
Dimensions (LxWxH)	Body Only	105 mm x 123 mm x 34 mm; 4.13 " x 4.84 " x 1.34 "
	Including HD BNC Connector	114 mm x 123 mm x 34 mm; 4.50 " x 4.84 " x 1.34 "
Weight		0.517 kg (1.14 lbs)
Body		Aluminum
Housing		Stainless steel (bracket)
Finish		Black

Electrical		
Power Consumption		13 W Max
Power Source		VDC: 12 V +/-10%, 11.5 W min PoE: IEEE 802.3af Class 3 compliant
Power Connector		2-pin terminal block
RTC Battery Backup		3V manganese lithium

Environmental

Operating Temperature	-10 °C to +60 °C (14 °F to 140 °F)
Storage Temperature	-10 °C to +70 °C (14 °F to 158 °F)
Humidity	0 - 100% RH

Certifications

Certifications/Directives	UL, cUL, CE, UKCA, ROHS, RCM
Safety	UL 62368-1, CSA 62368-1, IEC/EN 62368-1
Electromagnetic Emissions	FCC Part 15 Subpart B Class A, ICES-003 Class A, EN 55032 Class A, EN 61000-3-2, EN 61000-3-3
Electromagnetic Immunity	EN 55035, EN 61000-6-1
Environmental	IEC 60068-2-27, IEC 60068-2-6, IEC 60068-2-14, IEC 60068-2-1, IEC 60068-2-2
Warranty	10 year warranty

Specifications - Imager

Image Performance		3.0 MP	5.0 MP
Image Sensor		1/2.7" Progressive Scan	1/2.7" Progressive Scan
Imaging Area (H x V)		5.4 mm x 3.9 mm; 0.213" x 0.154"	
Max Image Rate		(50 Hz/60 Hz): 25 fps/30 fps	
Streaming Resolutions		Right Angle: 2128 x 1368, 1248 x 800, 528 x 336 Micro Bullet: 2128 x 1536	Micro Bullet: 2592 x 1944, 1920 x 1440, 1280 x 960, 640 x 480
Dynamic Range	HDR Off:	Up to 82 dB	
	HDR On:	Up to 120 dB	
3D Noise Reduction Filter		Yes	

Lens		Right Angle	Micro Bullet
Lens		3.7 mm fixed pinhole aperture	2.8 mm fixed
Minimum Illumination		0.1 lux	
Horizontal Angle of View (HFOV)		92°	110°
Vertical Angle of View (VFOV)		53°	80°
Max Aperture		F2.5	F2.0
Control		Fixed	

Image Control	
Electronic Shutter Control	Automatic
Iris Control	Fixed
Day/Night Control	Automatic
Flicker Control	60 Hz, 50 Hz
White Balance	Automatic
Privacy Zones	Up to 64 zones

Connector	
Cabling Type	Coaxial cable
Connector	HD BNC

Mechanical		Right Angle	Micro Bullet
Dimensions (LxWxH)	Imager Module Body Only	45 mm x 25 mm x 20 mm; 1.77" x 0.98" x 0.79"	42 mm x 30 mm diameter; 1.65" x 1.18" diameter
	Including HD BNC Connector	54 mm x 25 mm x 20 mm; 2.13" x 0.98" x 0.79"	50 mm x 30 mm diameter; 1.97" x 1.18" diameter
Weight		0.028 kg (0.06 lbs)	0.043 kg (0.09 lbs)
Body		Aluminum	
Housing		Plastic	
Finish		Black	

Environmental		Right Angle	Micro Bullet
Operating Temperature		-30 °C to +60 °C (-22 °F to 140 °F)	
Storage Temperature		-10 °C to +70 °C (14 °F to 158 °F)	

Environmental	Right Angle	Micro Bullet
Humidity	0 - 100% RH	
Environmental	N/A	IP66 Rating

Analytics Specifications

Analytic Rules Supported	
Objects in Area	Rule triggered when an object of the selected type and attributes is detected in the region of interest.
Object Loitering	Rule triggered when an object of the selected type and attributes loiters in the selected area for the selected period of time.
Objects Crossing Line	Rule triggered when an object of the selected type and attributes crosses the line. The line can be unidirectional or bidirectional.
Object Counting	Rule triggered when the count of objects of the selected type either exceeds or is less than the selected threshold.
Object Line Crossing Counting	Rule triggered when the specific number of objects of the selected type either cross a line to enter or leave an area.
License Plate Detection	Requires additional license.
Audio ¹	Rule triggered when audio of one of the specified types is detected.

¹ Not currently supported.

Detected Attributes	
Object Attributes	Vehicle, sub-types: Small/Medium Vehicles (sedan, SUV, pickup truck, etc.), Large Vehicles (bus, truck), Two-wheeled Vehicles (bicycle, motorcycle), Unclassified Vehicles
	Person
	Color (people's clothing, top and bottom, and vehicles)
	Face (US only, based on location)

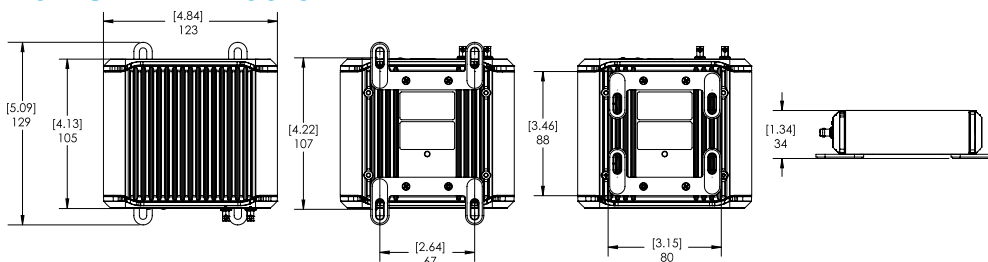
Supported Audio Events*	
Audio Events	Glass breaking, Loud Noise, Gun Shot, Screaming, Smoke Alarm, Car Alarm, Ultrasound Panic Alarm, Dog Barking, Tire Screeching

* Not currently supported.

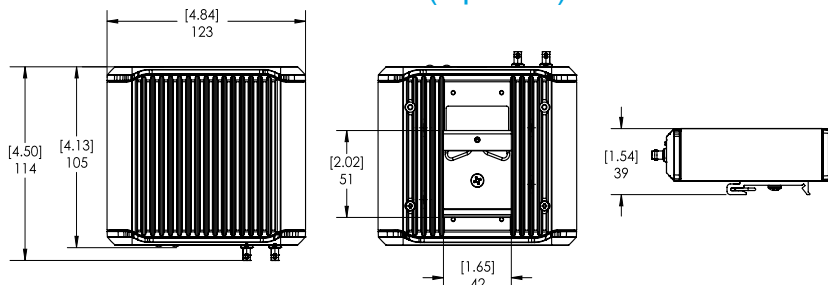
Outline Dimensions

[X.X]	INCHES
X	MM

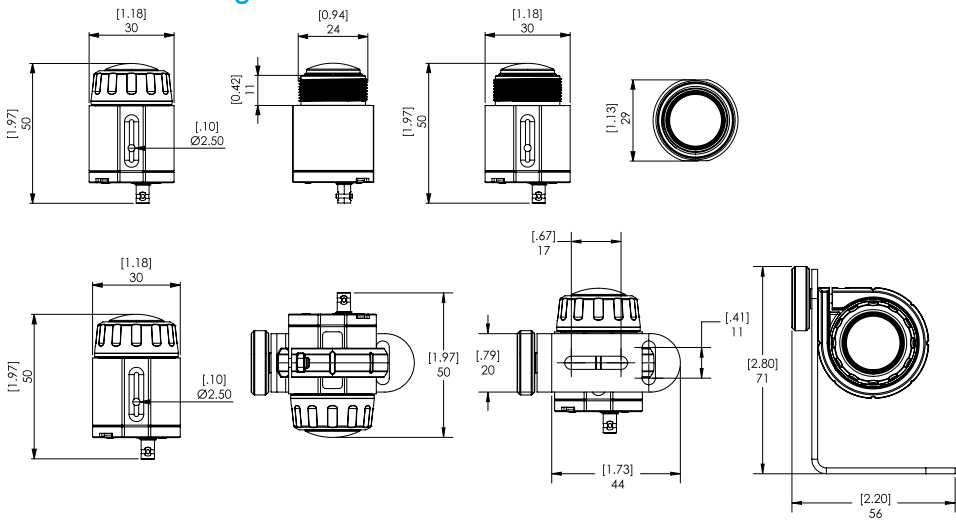
Main Unit with Bracket



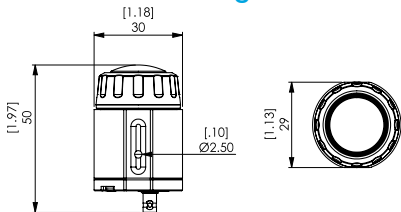
Main Unit with Din Rail Mount (Optional)



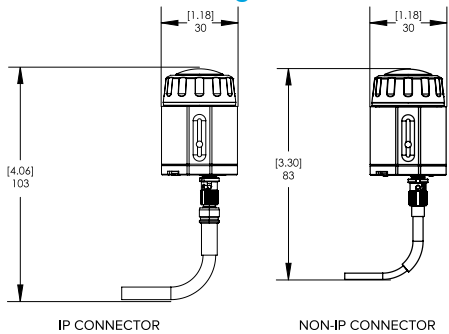
Micro Bullet Imager with Bracket



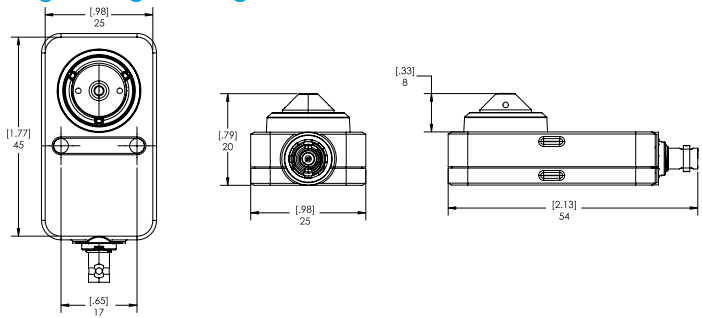
Micro Bullet Imager with Side Rail Mount

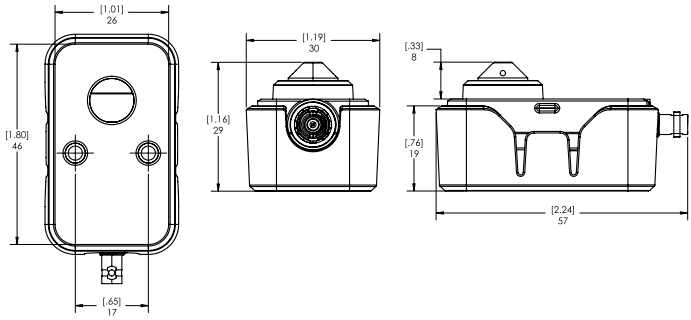
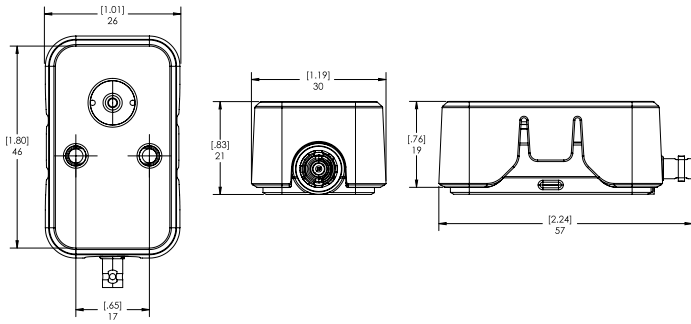


Micro Bullet Imager with Min. Cable Length

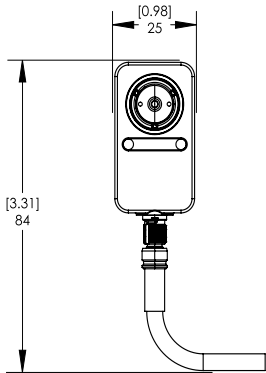


Right Angle Imager with Bracket








Right Angle Imager with Min. Cable Length



Ordering Information

The variety of mounting options for the H5A Modular provides maximum flexibility to combine different imager modules and cable configurations.

Main Unit	Imager Modules	Required Accessories
 <p>H5A Modular Camera Main Unit (H5A-MOD-2P-X-XX)</p>	<p>Order up to two imager modules per Main Unit, any combination of the following:</p> <div style="display: flex; justify-content: space-around; align-items: center;"> <div style="text-align: center;">  <p>H5A Right Angle Imager (3C-H5MOD-RP4)</p> </div> <div style="text-align: center;">  <p>H5A Micro Bullet Imager (xC-H5MOD-MB2)</p> </div> </div>	<p>Order one cable for each imager module:</p> <ul style="list-style-type: none"> CBL2M-1001 (2 m) CBL5M-1001 (5 m)

Imager Modules

With the modular design of the H5A Modular, either camera module can be connected to the H5A Modular Camera Main Unit for maximum versatility and optimal installation.

	FORM FACTOR	MP	Lens	IP66
3C-H5MOD-RP4	Right Angle	3.0	3.7 mm, Fixed Pinhole	
3C-H5MOD-MB2	Micro Bullet	3.0	2.8 mm, Fixed	✓
5C-H5MOD-MB2	Micro Bullet	5.0	2.8 mm, Fixed	✓

Camera Main Unit

Display Part Number	Description	Days of Storage
H5A-MOD-2P-1-30	Modular base unit, supporting 1 lens	30
H5A-MOD-2P-2-30	Modular base unit, supporting 2 lenses	30
H5A-MOD-2P-1-60	Modular base unit, supporting 1 lens	60
H5A-MOD-2P-2-60	Modular base unit, supporting 2 lenses	60
H5A-MOD-2P-1-120	Modular base unit, supporting 1 lens	120
H5A-MOD-2P-2-120	Modular base unit, supporting 2 lenses	120
H5A-MOD-2P-1-365	Modular base unit, supporting 1 lens	365

Camera Cables

Display Part Number	Description
CBL2M-1001	2 m (6 ft) HD BNC Cable for H5A Modular Camera Imager
CBL5M-1001	5 m (16 ft) HD BNC Cable for H5A Modular Camera Imager

Optional Mounting Adapters

Display Part Number	Description
BRKTMD-1001	Din rail mount for H5A Modular Camera Main Unit
BRKTMD-1011	Replacement L Bracket for Micro Bullet Imager H5A Modular
BRKTMD-1021	Replacement Flat Bracket for Right Angle Imager H5A Modular
BRKTMD-1031	Replacement Trimming Bracket for Micro Bullet Imager H5A Modular

Support

Learn more and find additional documentation at <https://motr.la/alta-aware-docs> for specific product support.



Jun 2024 | Rev 9

© 2022 - 2024, Motorola Solutions, Inc. All rights reserved. MOTOROLA, MOTO, MOTOROLA SOLUTIONS, and the Stylized M Logo are trademarks or registered trademarks of Motorola Trademark Holdings, LLC and are used under license.

sales@avigilon.com | avigilon.com